

JNP

JNP TRADING W.L.L

جي . ان . بي للتجارة ذ.م.م

EQUIPMENTS DIVISION

We Just Build The Trust



Tel / 0097444681711

Fax / 00974481181

Email / info@jnpqatar.com

website / www.jnpqatar.com

Index



Section 1

Earth & Road Equipments

Roller Compactor- Turkey	1	Tamping Rammer- U.K	8
Roller Compactor-U.K	2	Laser Screed- U.K	9
Plate Compactor-U.K	3	Laser Screed- U.K	10
Forward&Reverse Compactor U.K	4	Asphalt Cutter-U.K	11
Forward&Reverse Compactor -Turkey	5	Diesel Asphalt Cutter-Turkey	12
Plate Compactor-Turkey	6	Diesel Asphalt Cutter-Turkey	13
Heavy Duty Compactor -U.K	7	Diesel Asphalt Cutter-Turkey	14

Section 2

Concrete Equipment

Hydraulic Concrete Mixer-Italy	15	Concrete Buket W/ Man Platform-Italy	21
Electrical Concrete Mixer EVO-Italy	16	Concrete Buket Galvanized - Italy	22
Diesel Concrete Mixer EVO BG-Italy	17	Vibrator High Frequency Electrical Convertors-U.K	23
Diesel Concrete Mixer EVO BG-Italy	18	Vibrator High Frequency Generators-U.K	24
Concrete mixer EVO BGX - Italy	19	High Frequency Electrical Poker-U.K	25
Concrete Buket -Italy	20	Submersible pump & pokers - Japan	26

Section 3

Building Equipment

Steel Bar Cutting Machine-Italy	27	Exepert 700 cutting machine -Italy	34
Steel Bar Bending Machine-Italy	28	Elite 80 cutting machine -italy	35
Wood Saw Machine-Italy	29	Elite 80 cutting machine -italy	36
Boat Skip - Italy	30	Water pump petrol Robin -Japan	37
Kerb Grab- Italy	31	Water pump Diesel Robin -Japan	38
Handle Kerb Stone	32	Water pump petrol Honda-Japan	39
Block & kerb stone cutting machine -Italy	33	Water pump petrol Honda-Japan	40

Section 4

Finishing Equipment

Suerprime Cutting machine-Italy	41	Ride on Trowel 900mm-U.K	48
Superprime marbel &ceramic cutting machine	42	Power Floating machine 900 mm -U.K	49
prime 120Cm marbel & ceramic cuttng machine	43	Bullfloat Screed -Turkey	50
Super Pro- Ceramic Cutter- Italy	44	Meco Screed -Turkey	51
Super Pro 750mm- Ceramic Cutter- Italy	45	Dynamic Screed -U.K	52
Super Pro- 900mm Ceramic Cutter- Italy	46	Screed machine - Turkey	53
Ride on Trowel 900mm-Turkey	47		

We Just Build The Trust

JNP

JNP TRADING W.L.L.
جي . ان . بي للتجارة ذ.م.م

SECTION

1



EARTH AND ROAD EQUIPMENTS

EQUIPMENTS DIVISION

Dynamic[®]

VIBRATING ROLLER

OVR610



Model	: OVR 610 VIBRATING ROLLER
L x W x H	: 2400 x 700 x 1000 mm
L x W x H (Transport)	: 1225 x 700 x 1215 mm
Weight	: 715 Kg
Operational Weight	: 790 Kg (With all fluids)
Drum Diameter	: \varnothing 400 mm
Drum Width	: 650 mm
Water Tank	: 26 lt
Oil Tank	: 45 lt
Vibration Frequency	: 60 hz
Vibration Performance	: 22 kn
Static Linear Force	: 6,0 kg / cm
Dynamic Linear Force	: 15,3 kg / cm
Compacting Area	: 2600 m ² / h
Walking Speed	: 0 - 4 km / h
Mounting Tilt	: 40%
Moving	: Hydrostatic
Vibration	: Hydrostatic
Engine	: Honda GX270 (9.0 HP) Hatz 1D42 Z (7.2 Kw) 9.1 HP Diesel Lombardini 1LD350 (7.5 HP)

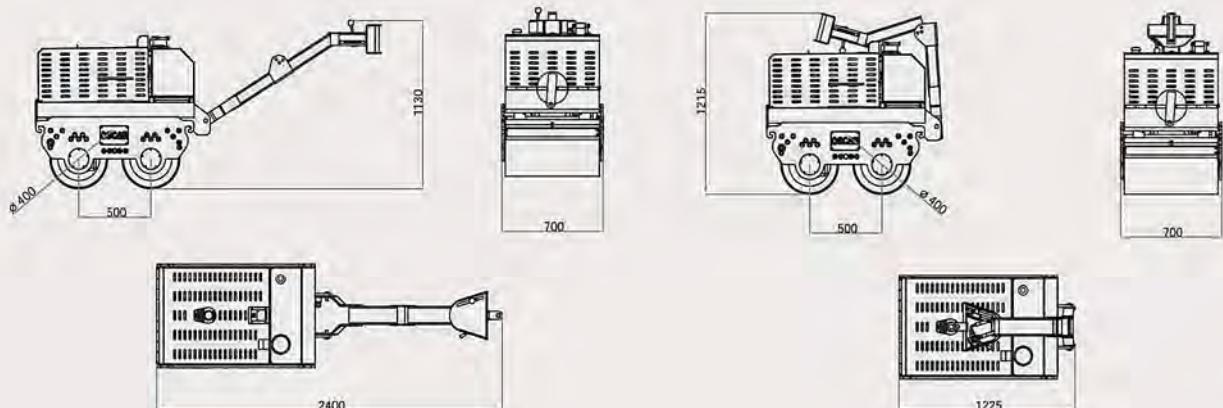


Machine Codes

Stock Code	Description
10. OVR610B GX270	GASOLINE VIBRATING ROLLER 9.0HP HONDA
10. OVR610D 15LD350	DIESEL VIBRATING ROLLER 7,5HP LOMBARDINI
10. OVR610D 1D42Z	DIESEL VIBRATING ROLLER 9,1HP HATZ

Technical specifications are subject to change without notice.

Dimensions



**DRL-70/60/DDR-60
 VIBRATORY ROLLER**

Features:

- ◆ Infinitely variable speed control
- ◆ Sprinkler system
- ◆ (Two) scrapers per drum
- ◆ Automatic shutdown at low oil level



Specification:

Model	DRL-70	DRL-60	DDR-60	
Weight	kg	520	305	520
Dimension	mm	L2450 x W 820 x H 1100	L1500 x W 760 x H 1050	L2450 x W 780 x H 1050
Centrifugal force	kn	20		
Working diameter	hz	75		
Engine	Air-cooled,4-cycle,Gasoline			
Type	Honda GX270	Honda GX160	Honda GX270	

DRL-60



**RRL-200/100
 RIDE-ON ROLLER**

Features:

For compaction of asphalt surface, compaction of gravel, sand and other projects.
 Small size, compact structure, easy to transport, large working force, high efficiency.
 Applied to mending and maintaining various roads, expressway.
 Especially suited for compaction of narrow areas.



Specification:

Model	RRL-200	RRL-100	
Weight	kg	2000	1000
Dimension	mm	L2500 x W 1200 x H 1750	L2100 x W 850 x H 1950
Centrifugal force	kn	30	20
Working diameter	hz	70	60
Engine	Air-cooled,4-cycle,Gasoline		
Type	Honda GX-630	CF186F	



MADE IN U K



Features:

Best choice for compacting granulated soil and sand, back fill and asphalt

Low vibration combined with high compaction performance

Option 1: wheels for easy transportation

Option 2: rubber mat for brick of pavement

Option 3: water tank for cooling the asphalt



Option



Specification:

Model	HZR-90	HZR-80	HZR-70	HZR-60	HZR-50	
Weight	kg	99	93	86	70	60
Dimension	mm	L 1100 x W 500 x H 950	L 1100 x W 400 x H 950	L 1070 x W 350 x H 880	L 1070 x W 300 x H 880	L 1070 x W 300 x H 880
Plate size	mm	L 590 x W 500	L 590 x W 400	L 535 x W 350	L 535 x W 300	L 535 x W 300
Centrifugal force	kn	20	15	13	10	10
Working diameter	rpm(hz)	5500(92)			5800(97)	
Speed	m/min	20-23				
Engine Type		Air-cooled,4-cycle,Gasoline				
Type		Honda GX160	Honda GX160	Honda GX160	Honda GX100	
Max.output	kw(hp)	4.0(5.5)			2.4(3.0)	
Max.speed	rpm	3600				
Fuel Tank	liter	3.6			1.6	



MADE IN U K



- Features:
- Easy to transport with the self-wheel
 - Handle hydraulic system for forward & reverse
 - Ductiled-iron base plate for durability
 - Lifting hook ensures easy to delivery in different job site



Specification:

Model	HUR-160	
Weight	kg	180
Dimension	mm	L 1000 x W 500 x H 1200
Plate size	mm	L 600 x W 500
Centrifugal force	kn	30
Working diameter	rpm(hz)	5500(92)
Speed	m/min	20-23
Engine Type	Air-cooled,4-cycle,Gasoline	
Type	Honda GX270	
Max output	kw(hp)	7.0(9.0)
Max.speed	rpm	3600
Fuel Tank	liter	6.1



Specification:

Model	HZR-120	
Weight	kg	120
Dimension	mm	L 1100 x W 520 x H 950
Plate size	mm	L 630 x W 520
Centrifugal force	kn	20
Working diameter	rpm(hz)	5500(92)
Speed	m/min	20-23
Engine Type	Air-cooled,4-cycle,Gasoline	
Type	Honda GX160	
Max.output	kw(hp)	4.0(5.5)
Max.speed	rpm	3600
Fuel Tank	liter	3.6



MADE IN U K



PLATE COMPACTOR

KMR100



Type	: KMR 100 Forward & Reverse plate compactor
Length	: 1450 mm
Width	: 560 mm (710 with extension plates)
Height	: 1040 mm
Weight	: 170 – 180 kg
Clutch	: Centrifugal Clutch
Compaction force	: 3500 kg
Effective depth	: 250 - 300 mm
Plate Dimensions	: 51x70 cm (71 x 70 with extension plates)
Extension Plates	: 10 cm x 2
Vibration Frequency	: 65 Hz (3900 vpm)
Operation speed	: 25 m/min
Gasoline Engine	: Honda GX 270 - (9.0 HP)
Diesel Engine	: Lombardini 15LD350-(7,5 HP) Diesel Hatz 1B30 (6.3 HP) Diesel



Machine Codes

Stock Code	Description
10. KMR100B GX270	GAS. REV. PLATE COM. 9,0HP HONDA
10. KMR100D 15LD350	DIESEL REV. PLATE COM. 7,5HP LOMBARDINI
10. KMR100D 1B30	DIESEL REV. PLATE COM. 6,3HP HATZ

- * GAS. : GASOLINE
- * REV. : REVERSIBLE
- * COM. : COMPACTOR

Technical specifications are subject to change without notice.

Dimensions

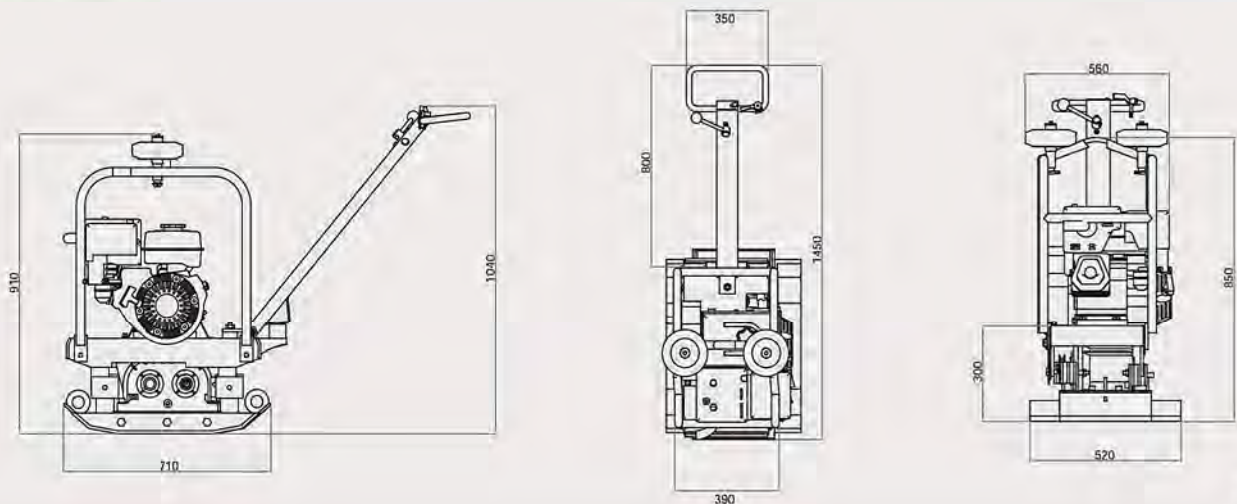


PLATE COMPACTOR

KM80



Type : KM 80 Plate Compactor

Length : 600 mm
Width : 500 mm
Height : 690 mm
Weight : 110 – 120 kg

Length : 1110 mm
Width : 510 mm
Height : 1000 mm

Clutch : Centrifugal Clutch
Compaction force : 2600 kg
Effective depth : 200 - 250 mm
Plate Dimensions : 50 x 60 cm
Operating Speed : 28 m/min.

Engine; Gasoline : Honda GX 200 - (6,5 HP)
 Honda GX 270 - (9.0 HP)

Diesel Engine : Lombardini 15LD350-(7,5 HP)
 Hatz 1B30 (6.5 HP)

Electric Optional : 3 KW 4HP Threephase
 : Asphalt Kit



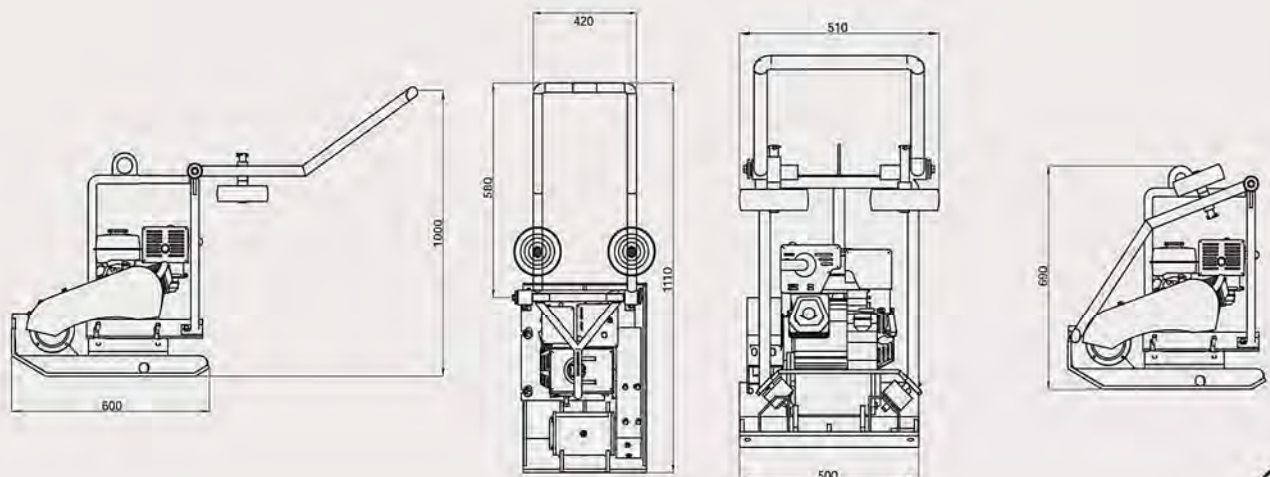
Machine Codes

Stock Code	Description
10. KM80B GX200	GAS. PLATE COM. 6,5HP HONDA
10. KM80B GX200 AT	GAS. PLATE COM. 6,5HP HONDA-ASP, KIT
10. KM80B GX270	GAS. PLATE COM. 9,0HP HONDA
10. KM80D 15LD350	DIESEL PLATE COM. 7,5HP LOMBARDINI
10. KM80D 1B30	DIESEL PLATE COM. 6,7HP HATZ
10. KM80E 3,0 KW	ELECTRIC PLATE COM. 3,0KW

- * GAS. : GASOLINE
- * COM. : COMPACTOR
- * ASP. : ASPHALT

Technical specifications are subject to change without notice.

Dimensions



DUR-500
REVERSIBLE PLATE

Features:

- ◆ Handle hydraulic system for Forward & Reverse
- ◆ Ductile iron base plate for durability
- ◆ The unique design of electric start-up, ensures the quick start in severe condition.
- ◆ Diesel power system, more powerful force, better compaction effect; Lower maintenance cost and long life time
- ◆ Lifting hook ensures easy to delivery in different job site

PLATE COMPACTOR



Dynamic plate compactor series could be used in the narrow place of the wall, roadside, foundation structure, also can be used for compaction asphalt and concrete. Compared with the domestic market other similar products, Dynamic plate compactor series is more focused on the practicability and reliability.



Specification:

Model	DUR-500	
Weight	kg	360
Dimension	mm	L 965 x W 600 x H 1370
Plate size	mm	L 600 x W 890
Centrifugal force	kn	50
Working diameter	rpm(hz)	4100(69)
Speed	m/min	22
Engine Type	Air-cooled, 4-cycle, Gasoline	
Type	Honda GX390	KIPOR KM186
Max.output	kw(hp)	9.6(13) 6.2(8.5)
Max.speed	rpm	3600
Fuel Tank	liter	5.5



MADE IN U K



Features:

- ◆ Special 4-stroke engine for the rammer
- ◆ The guide handle built-in shock mount to reduce hand-arm vibration, reduce intensity of labor
- ◆ Lifting hook for easy transport
- ◆ All closed design makes greatest protection of engine
- ◆ Separable double filter design extends lifetime and makes the maintenance easier



TRE-82



Specification:

Model	TRE-85	TRE-82	TRE-75	
Weight	kg	85	80	70
Dimension	mm	L 810 × W 425 × H 990	L 760 × W 430 × H 1000	L 760 × W 410 × H 970
Shoe size	mm	L 350 × W 280	L 350 × W 280	L 350 × W 280
Impact force	kn	16	16	14
Jumping height	mm	50-60	50-60	50-60
Forward speed	r/min	10-12	10-12	10-12
Engine Type	Air-cooled,4-cycle,Gasoline			
Type	Subaru EH12		Honda GX R120	
Max.output	kw(hp)	3.0(4.0)	2.9(4.0)	3.0(4.0)
Max.speed	rpm	3900		3850
Fuel Tank	liter	3.0		



MADE IN U K



LS-500/600 LASER SCREED

Features:

- ◆ Crab - type steering mode realizes 360 - degree machine rotation.
- ◆ Automatic head slow down function and quick leveling function.
- ◆ Leica and Trimble laser system, with high working precision and reliability.
- ◆ Improve the quality of the terrace and increase profits.



DTS-2.0 TOPPING SPREADER

Features:

- ◆ Large storage space for vehicle load materials and convenient to use.
- ◆ Convenient feeding and discharging.
- ◆ Good accuracy of spreading.
- ◆ Low dust technology.
- ◆ Good operator visibility.
- ◆ Simple operation and convenient maintenance /repair.



Specification:

Model		LS-600	LS-500
Weight	t	7.98	3.5
Size	mm	L6500×W2200×H2350	L4000×W2080×H1900
Walking speed	km/h	9	9
Vibration frequency	hz	60	60
Auger speed	rpm	200	200
Arm extended length	m	6	6
Wiper length	m	3.6	3
Leveling area of square meters	m ²	22	13
Maximum rotation angle		360	360
Engine power	kw	44.1	20
Control mode of laser system			
Fuel tank volume	l		70



Specification:

Model		DTS-2.0
Engine model		Yanmar
Engine power	kw	20
Fuel tank volume	l	70
Spreading width	mm	1800
Spreading speed	kg/m ²	3~5
Spreading container volume	kg	200
Walking speed	km/h	9
Maximum length of spreading each time	m	6



MADE IN U K



LS-400 LASER SCREED

Features:

- ◆ Imported servo drive system, smooth running, precise timing, strong overload ability
- ◆ Leica and Trimble laser system, with high working precision and reliability.
- ◆ Per square meter, low fuel consumption, low operation cost



Specification:

Model		LS-400
Weight	kg	741
Size	mm	L3155×W3175×H1910
Walking speed	km/h	0~2.5
Whole flat width	mm	2500
Paving thickness	mm	30~200
Vibration frequency	hz	50
Engine power	kw	14.2
Fuel tank volume	l	35

LS-325 LASER SCREED

Features:

- ◆ Imported servo drive system, smooth running, precise timing, strong overload ability
- ◆ Leica and Trimble laser system, with high working precision and reliability.
- ◆ Hybrid drive, more selection with more economical cost



Specification:

Model		LS-325
Weight	kg	220
Dimension	mm	L 2748 × W 2900 × H 2044
Power supply system		2.6KW single cylinder four stroke gasoline engine EC2500CX
Electric servo system		Electric servo system
Tire		733mmATVtire(1.8~2.2BAR)or 3.0-21narrow tire(1.6~2.1BAR)
Whole flat width m		2.6



LS-350



MADE IN U K



DFS-500/400 CONCRETE CUTTER

Features:

- ♦ Ergonomics designed. Handle makes the operation more comfortable and speedy
- ♦ Special protective covering protects the engine perfectly and makes the transportation more safely
- ♦ The unique designed water tank provides adequate water supply and perfect cooling effect, no residual water and makes the maintenance easier
- ♦ Special blade cover makes the assembling and disassembling more easily
- ♦ Folding guide wheel for accurate cutting
- ♦ Adjustable cutting depth assures the cutting working more precise and efficient



Specification:

Model	DFS-500	DFS-400
Weight	kg 135	122
Dimension	mm L1260 x W 540 x H 1035	L 1580 x W 500 x H 900
Cutting width	mm	5-8
Max. Cutting depth	mm 180	120
Disk size	mm 300-500	300-400
Install Aperture	mm	26-50
Engine	Air-cooled,4-cycle,Gasoline	
Type	Honda GX390	Honda GX270
Max.output	kw(hp) 9.6(13)	7.0(9.0)
Max.speed	rpm	3600
Fuel Tank	liter 6.5	7.0 6.1

CONCRETE VIBRATOR



Model	NZQ-50
Engine	Air-cooled,4-cycle,Gasoline
Type	HondaGX160 / Briggs & Stratton1062
Max. output	kw(hp) 4.0(5.5) / 5.6(7.5)
Max. speed	rpm 3600
Fuel Tank	liter 3.6



DV23

HCV35 SERIES POKER

Specification:

Model	Material	Weight	Raising Distance	No-Load Speed	Diameter of discharging pass	Input Power
F45x380mm	Material	7.3kg	1760mm	GX35	1.2Kw/7000rpm	12000rpm



DFS-400



VIBRATOR POKER

ZN/ZNW Series POKER

Specification:

Model	Diameter	Length	Vibration Frequency		Amplitude	Diameter of Flex Hose	Diameter of Flex Shaft	Weight for 6M Hose
Chinese/Danapac	D(mm)	L(mm)	(Hz)	(RPM)	(mm)	D(mm)	d(mm)	(Kg)
ZN/ZNW28	28	463	210	12,600	1.4	28	8	16
ZN/ZNW32	32	430	210	12,600	0.8	30	8	17
ZN/ZNW38	38	492	205	12,300	1.7	32	10	18
ZN/ZNW45	45	585	200	12,000	1.2	32	12	19
ZN/ZNW50	50	545	200	12,000	2.2	32	12	20
ZN/ZNW60	60	550	200	12,000	2.5	36	13	21
ZN70	68	452	200	12,000	2.5	36	13	19



CV SERIES DRIVING MOTOR

Specification:

Model	Input Power (kw)	Power Source	No-Load Speed (RPM)	Class of Protection	Overall Dimension	Weight (Kw)
CV50	1.1	380V ~ 50Hz	2,850	IPX4	325×175×270	13
CV50A	1.1	220V ~ 50Hz/60Hz	2,850	IPX4	325×175×270	13
CV70	1.5	380V ~ 50Hz	2,850	IPX4	325×175×270	15
CV70A	1.5	220V ~ 50Hz/60Hz	2,850	IPX4	325×175×270	13



Powerful motor CV-50 with two output types 1.1kw and 1.5 kw can drive every size of shafts



MADE IN U K



HONDA
The Power of Dreams

FLOOR CUTTERS

OFC1218



Model : OFC 1218 B
Type : Floor Cutter
L x W x H : 1080 x 575 x 100 mm
Pointer : 750 mm
Weight : 124 -140 kg
Drive : 3 way V-Belt Drive
Max. Blade Diameter : Max. Ø 350 mm
Max. cutting Depth : 130 mm
Water tank : 30 lt.

Engine;
 GASOLINE
 Honda GX 270 (9.0 HP) Gasoline Engine (Recoil Starter)
 Honda GX 390 (13.0 HP) Gasoline Engine (Recoil Starter)

DIESEL
 Hatz 1B30 (6.5 HP)
 Lombardini 15LD350 (7.5 HP)

ELECTRIC
 5.5 kw electric motor

- Standard Features ;**
- * Integrated Water tank
 - * Heavy – Duty Chassis
 - * 3 Way Water spraying System
 - * Lifting Hook for easy loading / unloading
 - * External water source connection
 - * Cutting depth fixing system
 - * Cutting depth indicator



Consumables

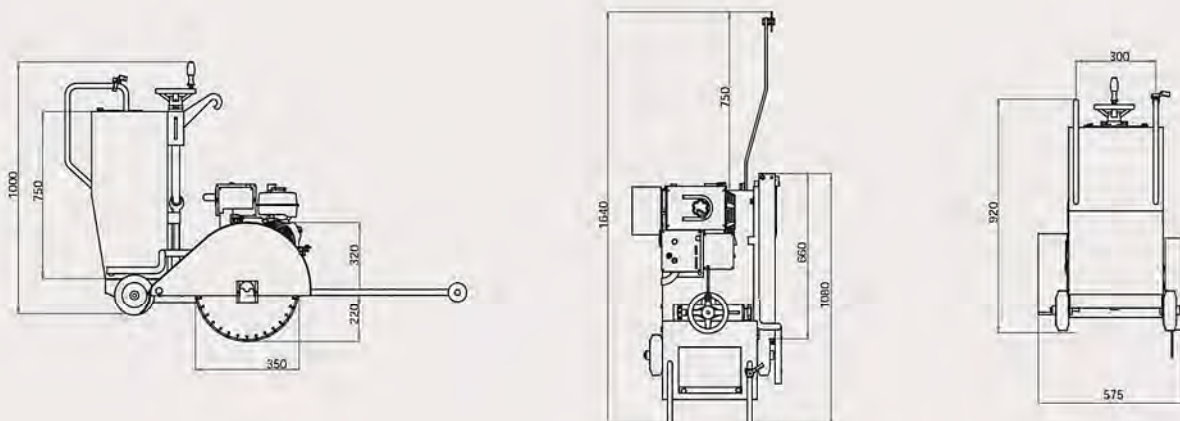
Stock Code	Description
BR300 ASPHALT	ASPHALT BLADES
BR300FRESH	FRESH CONCRETE BLADES
BR300OLD	OLD CONCRETE BLADES
BR350 ASPHALT	ASPHALT BLADES
BR350 FRESH	FRESH CONCRETE BLADES
BR350 OLD	OLD CONCRETE BLADES

Machine Codes

Stock Code	Description
10. OFC1218B GX270	GASOLINE FLOOR CUTTER 9,0HP HONDA
10. OFC1218B GX390	GASOLINE FLOOR CUTTER 13,0HP HONDA
10. OFC1218D 15LD350	DIESEL FLOOR CUTTER 7,5HP LOMBARDINI
10. OFC1218D 1B30	DIESEL FLOOR CUTTER 6,5HP HATZ
10. OFC1218E 5,5 KW	ELECTRIC FLOOR CUTTER 5,5KW
10. OFC1218E 7,5 KW	ELECTRIC FLOOR CUTTER 7,5KW

Technical specifications are subject to change without notice.

Dimensions



FLOOR CUTTERS

DBC21



Model : DBC 21 B
Type : Floor Cutter
L x W x H : 1260 x 550 x 1020 mm
Pointer : 685 mm
Weight : 85 -110 kg
Drive : 3 way V-Belt Drive
Max. Blade Diameter : Ø 350 mm
Max. cutting Depth : 130 mm
Water tank : 34 lt.

Engine;
GASOLINE
 Honda GX 270 (9.0 HP) Gasoline Engine (Recoil Starter)

DIESEL
 Hatz 1B30 (6.5 HP) Diesel Engine (Recoil Starter)

ELECTRIC
 5.5 kw electric motor

Standard Features ;

- * Automatic water spraying system
- * Automatic lubricating system
- * External water source connection
- * Up to 30 % more engine life time with vertical fitted engine (permanent oil supply)
- * Up to 22 % more blade life time with automatic water spraying system
- * Cutting depth fixing system
- * Cutting depth indicator
- * Easily accessible v-belt tensioning system for easy maintenance
- * Easy blade change system
- * Lifting Eyes for easy loading/unloading
- * Parking brake



Consumables

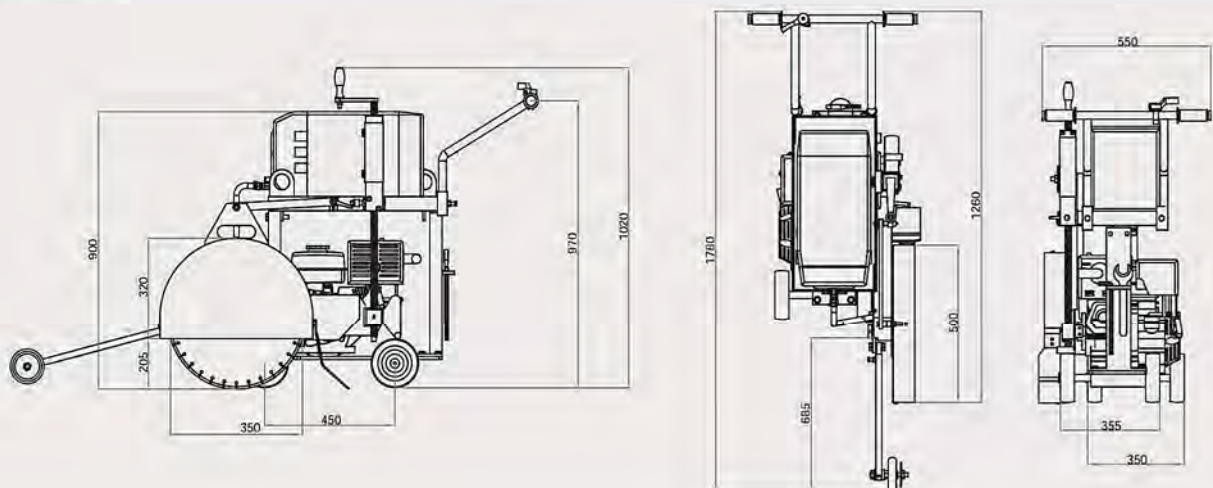
Stock Code	Description
BR300 ASPHALT	ASPHALT BLADES
BR300FRESH	FRESH CONCRETE BLADES
BR300OLD	OLD CONCRETE BLADES
BR350 ASPHALT	ASPHALT BLADES
BR350 FRESH	FRESH CONCRETE BLADES
BR350 OLD	OLD CONCRETE BLADES

Machine Codes

Stock Code	Description
10. DBC21B GX270	GASOLINE FLOOR CUTTER 9,0HP HONDA
10. DBC21D 1B30	DIESEL FLOOR CUTTER 6,5HP HATZ
10. DBC21E 5,5KW-3PHASE	ELECTRIC FLOOR CUTTER 5,5KW THREE PHASE

Technical specifications are subject to change without notice.

Dimensions



FLOOR CUTTERS

DBC31



Model : DBC 31 B

Type : Floor Cutter

L x W x H : 1260 x 550 x 1090 mm

Pointer : 685 mm

Weight : 95 -120 kg

Drive : 3 way V-Belt Drive

Max. Blade Diameter : Ø 450 mm

Max. cutting Depth : 170 mm

Water tank : 34 lt.

Engine;
GASOLINE
Honda GX 390 (13.0 HP) Gasoline Engine - Recoil Starter

DIESEL
Hatz 1B40(9.3 HP) Diesel Engine - Recoil Starter
Lombardini 15LD350 (7,5 HP) Diesel Engine - Recoil Starter

ELECTRIC
7.5 kw electric motor

Standard Features ;

- * Automatic water spraying system
- * Automatic lubricating system
- * External water source connection
- * Up to 30 % more engine life time with vertical fitted engine (permanent oil supply)
- * Up to 22 % more blade life time with automatic water spraying system
- * Cutting depth fixing system
- * Cutting depth indicator
- * Easily accessible v-belt tensioning system for easy maintenance
- * Easy blade change system
- * Lifting Eyes for easy loading/unloading
- * Parking brake

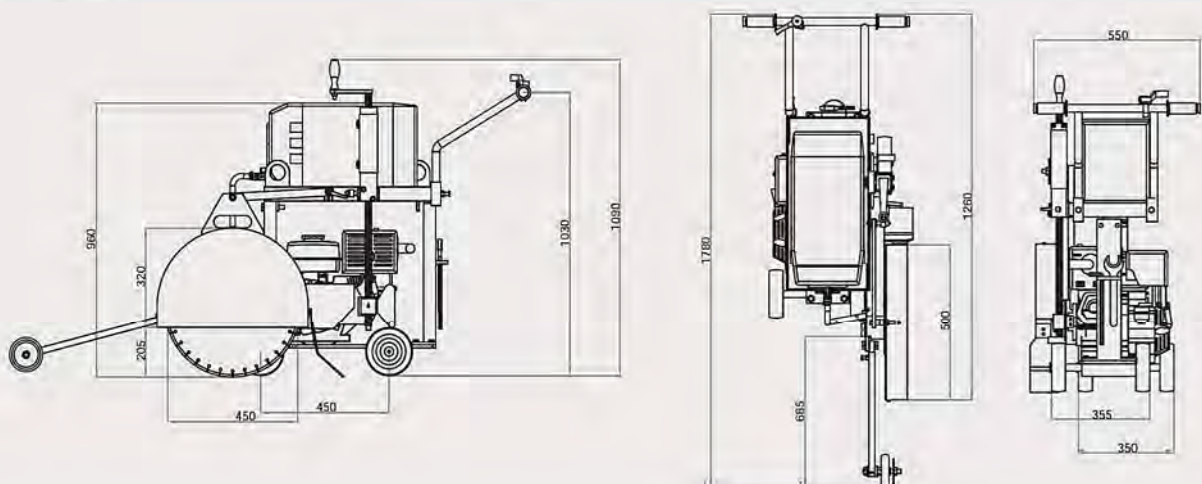
Consumables

Stock Code	Description
BR350 ASPHALT	ASPHALT BLADES
BR350 FRESH	FRESH CONCRETE BLADES
BR350 OLD	OLD CONCRETE BLADES
BR400 ASPHALT	ASPHALT BLADES
BR400 FRESH	FRESH CONCRETE BLADES
BR400 OLD	OLD CONCRETE BLADES
BR450 ASPHALT	ASPHALT BLADES
BR450 FRESH	FRESH CONCRETE BLADES
BR450 OLD	OLD CONCRETE BLADES

Machine Codes

Stock Code	Description
10. DBC31B GX390	GASOLINE FLOOR CUTTER 13,0HP HONDA
10. DBC31D 1B40	DIESEL FLOOR CUTTER 9,3HP HATZ
10. DBC31D 15LD350	DIESEL FLOOR CUTTER 7,5HP LOMBARDINI
10. DBC31E 7,5KW	ELECTRIC FLOOR CUTTER 7,5KW

Dimensions



Technical specifications are subject to change without notice.

JNP

JNP TRADING w.l.l

جي . ان . بي للتجارة ذ.م.م

SECTION

2



CONCRETE EQUIPMENT

EQUIPMENTS DIVISION

BARANITE



PENTA 500 - 750 - 1000 - 1200 - 1500

JNP
JNP TRADING W.L.L.
جي . ان . بي للتجارة ديمم

Applications: Ideal for large-scale building sites

The Penta model with inverse rotation is particularly suitable for concretes or mixes with large diameter inert particles, permitting rapid production times. Machines for medium-sized building site production, particularly sturdy and extremely easy to handle, these are typical ready-to-use machines quickly put in place when needed. All machines are fitted with hydraulic controls for easy drum and skip loading operation, the electrical equipment is hermetically enclosed in a special box and easy to inspect and the scraper blade is connected via a low voltage system.



TECHNICAL DATA

		500	750	1000	1200	1500
Drum capacity	lt	490	650	710	1100	1300
Output*	lt	350	450	510	780	950
Water tank capacity	n.	80	80	100	100	100
Diesel engine power	Hp	19	19	19	28	28
Length	Cm	290	320	350	350	380
Width	Cm	190	190	190	220	220
Height	Cm	270	270	270	280	280
Weight of 2 wheel version	Kg	1250	1300	1450	2400	2600

*Output varies according to type of material

CHARACTERISTICS

- Two cylinder Diesel engine
- Electric engine starting
- Hydraulic bucket lift piston
- Safety valve to prevent bucket falling onto piston
- Pneumatic wheels and height-adjustable legs
- Water tank with level indicator
- Side netting protection
- Available in version with 4 pneumatic wheels

ACCESSORIES ON REQUEST

- Litre metering system
- Hydraulic weighing system (only 500 – 750)
- Bucket loading ramp (only 500 – 750)

15



MADE IN ITALY

EVO 180 - 320 - 350 - 500



Applications: Traditional and professional machine built using the classic and reliable transmission system with cast iron gears and poly-V belt.

CONCRETE MIXER



EVO 350



EVO180

CHARACTERISTICS

- Single phase motor 230V/50 Hz (excluding mod. 500)
- Cast iron crown and pinion transmission
- Switch with IP 55 minimum voltage coil, thermal protection and IP 67 EEC plug
- Mushroom emergency stop push button
- Poly-V belt transmission with belt tightener
- Steel drum built in 3 parts
- Semi pneumatic rubber wheels with steel rims
- Drawbar for handling
- Available on request with 380V/50 Hz motor (excluding mod. 180)
- Available on request with petrol and diesel engines (mod. 180 petrol only)
- Available on request in 4 wheel version (excluding mod. 180)

TECHNICAL DATA

		180	320	350	500
Drum capacity	lt	180	300	350	500
Output*	lt	150	250	300	430
Mixes per hour	N°	26	26	26	26
Single phase electric motor power	Hp	0,75	1,5 / 2	2	-
Three phase electric motor power	Hp	-	1,5	1,5	2
Petrol engine power	Hp	2,8	3,9 / 6	3,9 / 6	3,9 / 6
Diesel engine power	Hp	-	7,5	7,5	7,5
Electric version weight	Kg	115	208	210	290
Dimensions L x W x H	Cm	154 / 81 / 127	180 / 92 / 148	180 / 92 / 148	195 / 115 / 163
Value Lpa g Elect./Int. Comb./Diesel	dB	78/85/-	77/85/97	77/85/97	77/85/97



EVO BG 350 - 500 4 RUOTE

JNP

JNP TRADING W.L.L.
جي . ان . بي للتجارة ديم

Applications: Traditional machine built using the classic and reliable transmission system with cast iron gears and V belt, fitted with 4 pneumatic wheels for easy handling on site.

CONCRETE MIXER

MACHINES FOR NON-
EC COUNTRIES



4RUOTE EVO eBG

TECHNICAL DATA

		350	500
Drum capacity	lt	350	500
Output*	lt	300	430
Mixes per hour	N°	26	26
Weight without motor	Kg	210	290
Dimensions L x W x H	Cm	195 / 117 / 155	210 / 138 / 173

*Machine output varies according to type of material and drum inclination

CHARACTERISTICS

- Cast iron crown and pinion transmission
- V belt transmission
- Steel drum built in 3 parts
- Semi pneumatic rubber wheels with steel rims
- Drawbar for handling
- Available on request in 4 wheel version
- 4 pneumatic wheels with steel rims
- Disassembled version for container loading, 2 wheel and 4 wheel versions

17



MADE IN ITALY

EVO BG 250 - 350 - 500



Applications: Traditional machine built using the classic and reliable transmission system with cast iron gears and V belt.

CONCRETE MIXER

MACHINES FOR NON-EC COUNTRIES



*machine equipped with pneumatic wheels accessory



Easy access cabin with the possibility of installing various motor options

Machines for non-EC markets

TECHNICAL DATA

		250	350	500
Drum capacity	lt	250	350	500
Output*	lt	195	300	430
Mixes per hour	N°	26	26	26
Weight without motor	Kg	208	210	290
Dimensions L x W x H	Cm	187 / 92 / 148	187 / 92 / 148	202 / 115 / 163

*Machine output varies according to type of material and drum inclination

CHARACTERISTICS

- Cast iron crown and pinion transmission
- V belt transmission
- Steel drum built in 3 parts
- Semi pneumatic rubber wheels with steel rims
- Drawbar for handling
- Available on request in 4 wheel version

18



MADE IN ITALY

BF/BFXN 350 - 420



Applicazioni BF: Traditional machine built using the classic and reliable transmission system with cast iron gears and poly-V belt.

Applicazioni BFXN: Innovative transmission system in special steel to reduce noise and ensure maximum wear resistance and easy maintenance.

CONCRETE MIXER



BF350

BFXN350

CHARACTERISTICS

- Single phase motor 230V/50 Hz (excluding mod. 420)
- Cast iron crown and pinion transmission
- Switch with IP 55 minimum voltage coil, thermal protection and IP 67 EEC plug
- Mushroom emergency stop push button
- Poly-V belt transmission with belt tightener
- Steel drum built in 3 parts
- Elastic axle with pneumatic wheels
- Approved drawbar for handling
- Available on request with 380V/50 Hz motor
- Available on request con petrol and Diesel engines

TECHNICAL DATA

		BF 350	BF 420	BFXN 350
Drum capacity	lt	350	420	350
Output*	lt	300	330	300
Mixes per hour	N°	26	26	26
Single phase electric motor power	Hp	2	-	2
Three phase electric motor power	Hp	1,5	2	1,5
Petrol engine power	Hp	3,6 / 6	3,9 / 6	-
Diesel engine power	Hp	7,5	7,5	-
Electric version weight	Kg	240	250	210
Dimensions L x W x H	Cm	184/106/150	190/108/162	170/100/166
Value Lpa g Elect/Int. Comb./Diesel	dB	77/85/97	77/85/97	71/-/-

*Machine output varies according to type of material and drum inclination

CHARACTERISTICS BFXN

- Single phase motor 230V/50 Hz (excluding mod. 420)
- Cast iron crown and pinion transmission
- Switch with IP 55 minimum voltage coil, thermal protection and IP 67 EEC plug
- Mushroom emergency stop push button
- Poly-V belt transmission with belt tightener
- Steel drum built in 3 parts
- Elastic axle with pneumatic wheels
- Approved drawbar for handling
- Available on request with 380V/50 Hz motor

19



MADE IN ITALY



Construction Equipment Technical Data Sheet

CONCRETE BUCKETS

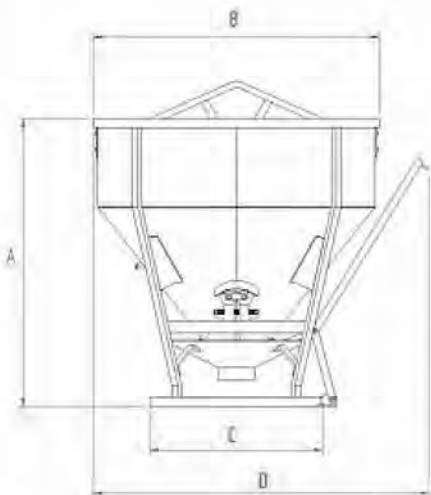
Concrete skip with rubber hose

CT Model

HARD WORK, NEAT JOB

We offer our esteemed clients an exclusive range of concrete buckets with lever and rubber hose. With the **long flexible hose** (? 200 mm – standard length 2 mt. / available in different lengths on demand) it's easier to pour concrete into columns, walls and formworks and to control the flow. These buckets are highly requested as they provide **smooth concrete placement** and they are designed using fine quality material. Our product guarantees stability and structural strength. These buckets present a discharge gate closed automatically by spring retractors with handle-lever and rope to open the gate. These products are manufactured with various capacities as listed below and can reach over 3000 l capacity on demand. The customer can require specific sizes for the batching plants.

All our concrete buckets are built to meet or exceed the regulations of EN, ASME and UNI and come with the required labels, certificates and user and maintenance manual. All our products are covered by a 1-year warranty (EU Directive).



MODEL	CAPACITY (Lt)	DIMENSIONS (mm)				CAPACITY (kg)	WEIGHT (kg)
		A	B	C	D		
CT-40	400	1140	1050	680	1250	1040	110
CT-50	500	1250	1050	880	1200	1300	120
CT-80	800	1490	1250	930	1450	2080	175
CT-99	1000	1670	1250	930	1450	2600	215
CT-150	1500	2180	1250	930	1450	3900	245



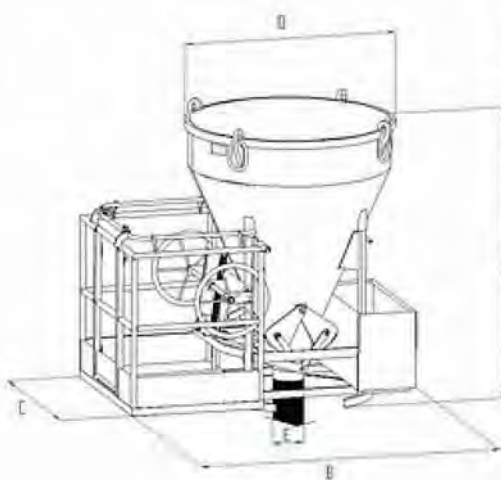
Construction Equipment Technical Data Sheet

CONCRETE BUCKETS

Concrete bucket with riding platform

CT-P Model

- Concrete bucket with man platform
- Opening by lever
- Supplied with a flexible rubber hose 2 mt length



MODE L	CAP. (Lt)	DIMENSIONS (mm)					CAP. (kg)	WEIG HT (kg)
		A	B	C	D	E		
CT-50 P	500	1250	1930	1200	1050	200	1300	310
CT-80 P	800	1490	1930	1200	1350	200	2080	350
CT-99 P	1000	1802	1930	1200	1350	200	2600	366
CT-15 OP	1500	2182	1930	1200	1350	200	3900	440
CT-20 OP	2000	2480	1930	1200	1350	200	5200	465
CT-25 OP	2500	1904	1930	1200	1884	200	6500	680
CT-30 OP	3000	2180	1930	1200	1884	200	7800	800

Construction Equipment Technical Data Sheet

CONCRETE BUCKETS

Galvanized concrete bucket

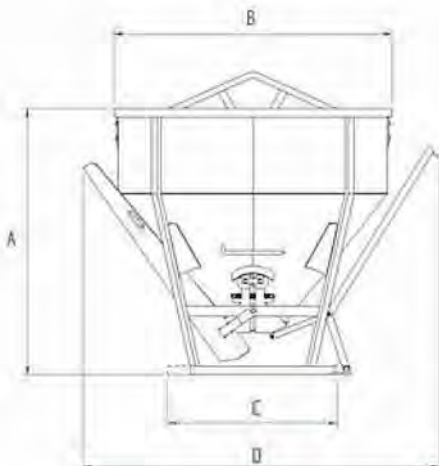
CL-ZN Model

LOW – LONGLASTING – ACCURATE

Our team offers you this exclusive range of concrete galvanized buckets. This product is highly requested in the construction market as it maintains its characteristics over time thanks to the **hot-dip galvanization process** that forms a coating of corrosion-resistant zinc which prevents corrosive substances from reaching the more delicate part of the metal.

This bucket is characterized by a **cut height** to facilitate the loading process. This model provides accurate placing of concrete thanks to the **side chute**. The auto-closing spring gate system and the lever opening guarantee an excellent dosage and unloading control, providing an easy and safe work. This model is manufactured in many different capacities as listed below.

This bucket model is available also painted. All our concrete buckets are built to meet or exceed the regulations of EN, ASME and UNI and come with the required labels, certificates and user and maintenance manual. All our products are covered by a 1-year warranty (EU Directive).



MODEL	CAPACITY (Lt)	DIMENSIONS (mm)				CAP. (kg)	WEIGHT (kg)
		A	B	C	D		
CL-15ZN	150	560	920	660	1100	390	63
CL-20ZN	200	640	920	660	1100	520	68
CL-25ZN	250	720	920	660	1100	650	73
CL-30ZN	300	800	920	660	1100	780	78
CL-35ZN	350	880	920	660	1100	910	82
CL-40ZN	400	850	1050	660	1250	1040	93
CL-50ZN	500	950	1050	660	1250	1300	100
CL-60ZN	600	1070	1050	660	1250	1560	118
CL-80ZN	800	1120	1250	750	1550	2080	155
CL-99ZN	1000	1300	1250	750	1550	2600	173
CL-150ZN	1500	1800	1250	750	1550	3900	245

CONCRETE VIBRATORS HIGH FREQUENCY ELECTRIC CONVERTORS

Mechanically fixed Magnets

Overload Protection

Available with 1,2, or 3 32 amp Sockets depending on model

Input voltage 230/1/50 and 400/3/50

Output 42 volts 3 phase 200 hertz

Continuous cooling



CM 15

CM 25T- 25M



CM 35T-55T-85T

Frequency Convertors

Model	Input					Output				Weight	Frame
	KW	Amps	Input	Cable	Trailing Plug	KVA	Volts	Amps	Sockets		
CM15M	1.1	6.0	230/1/50	3.5 mtr	16 amp male	1.0	42/3/200	14.0	1 x 32 amp	24.0g	Carrying Handle
CM25M	1.8	10.0	230/1/50	3.5 mtr	16 amp male	1.8	42/3/200	25.0	2 x 32 amp	32 kg	Carrying Frame
CM25T	2.2	4.0	400/3/50	3.5mtr	16 amp male	1.8	42/3/200	25.0	2 x 32 amp	32.0 kg	Carrying Frame
CM35T	2.8	5.0	400/3/50	5.0mtr	16 amp male	2.6	42/3/200	36.0	3 x 32 amp	55.0 kg	Wheeled Trolley
CM55T	4.4	8.0	400/3/50	5.0mtr	32 amp male	4.0	42/3/200	55.0	3 x 32 amp	63.0 kg	Wheeled Trolley
CM85T	6.6	12.0	400/3/50	5.0mtr	32 amp male	6.2	42/3/200	85.0	4 x 32 amp	80.0 kg	Wheeled Trolley

Input Cable on all models 2.5mm² H07RNF , Plugs to IP55

How many Concrete Vibrators can be used with Convertors

Model	Sockets Female	Max Amps	VE1-38	VE1-50	VE1-59	VE2-50	VE2-59	VE2-65
Single Poker Amperage			8 amps	11 amps	12 amps	15 amps	17 amps	24 amps
CM15M	1 x 32 amp	14.0	1 x 38mm	1 x 50mm	1 x 59mm	None	None	None
CM25M	2 x 32 amp	25.0	2 x 38mm	2 x 50mm	1 x 59mm	1 x 50mm	1 x 59mm	1 x 65mm
CM25T	2 x 32 amp	25.0	2 x 38mm	2 x 50mm	2 x 59mm	1 x 50mm	1 x 59mm	1 x 65mm
CM35T	3 x 32 amp	36.0	3 x 38mm	3 x 50mm	3 x 59mm	2 x 50mm	2 x 59mm	1 x 65mm
CM55T	3 x 32 amp	55.0	3 x 38mm	3 x 50mm	3 x 59mm	3 x 50mm	3 x 59mm	2 x 65mm
CM85T	4 x 32 amp	85.0	4 x 38mm	4 x 50mm	4 x 59mm	4 x 50mm	4 x 59mm	3 x 65mm

On 60 hz models output is reduced to 10800rpm so poker performance will be slightly reduced

A mixture of different sizes of vibrators can be used.

The total amperage must be lower than the total maximum amperage of the CM Frequency Convertor.
Overloading the Convertor will cause failure.

CONCRETE VIBRATORS HIGH FREQUENCY GENERATORS



Honda Petrol or Yanmar Diesel Engine

Totally enclosed heavy duty frame

Built to order

Thermal Magnetic Breaker as Standard

Available with 2 or 4 Hard or Pneumatic Wheels (Optional)

Three 32 amp sockets as Standard, optional four sockets

Output 42 volts 3 phase 200 hertz

Use of Concrete Vibrators with Generators

Model	Sockets	Max Amps	VE1-38	VE1-50	VE1-59	VE2-50	VE2-59	VE2-65
Single Poker Amperage			8 amps	11 amps	12 amps	15 amps	17 amps	24 amps
EP3000T-42	3 x 32 amp female	33 amps	3 x 38mm	2 x 50mm	2 x 60mm	2 x 50 mm	1x 57 mm	1 x 65 mm
EP4500T-42	3 x 32 amp female	49 amps	3 x 36mm	3 x 50mm	3 x 60mm	3 x 50 mm	2 x 57 mm	2 x 65 mm
EP4500TD-42	3 x 32 amp female	49 amps	3 x 36mm	3 x 50mm	3 x 60mm	3 x 50 mm	2 x 57 mm	2 x 65 mm

A mixture of different sizes of vibrators can be used.

The total amperage must be lower than the total maximum amperage of the EP High Frequency Generator. Overloading the Generator will cause failure.

EP Frequency Generators

Model	Engine	KVA max	KVA cont	Sockets	Output	Dimensions	Weight	dB(a)	Lwa
EP3000T-42	Honda GX270	3.3	3.0	3 x 32 amp female	42 /3 /200	67 x 51 x 56	70 kg	71	96
EP4500T-42	Honda GX390	5.0	4.5	3 x 32 amp female	42 /3 /200	67 x 51 x 56	70 kg	72	97
EP4500TD-42	Yanmar LN100	5.0	4.5	3 x 32 amp female	42 /3 /200	77 x 51 x 56	95 kg	83	108

BARANITE

JNP
JNP TRADING W.L.L.
جي . إن . بي للتجارة ديم

CONCRETE VIBRATORS HIGH FREQUENCY ELECTRIC POKERS IMMERSION



VE3 IMMERSION VIBRATORS

High Frequency Immersion Vibrator
Electric motor close coupled to an eccentric mass
42 volts 3 phase 200 Hz
Supplied with 5m of handling hose
Switch box is made in high impact aluminium
Thermal protection of stator
High quality double bearings
10m of heavy duty flexible cable and 32 amp plug
Frequency Convertors and Generators available

VE3 HIGH FREQUENCY ELECTRIC IMMERSION VIBRATORS

Model	VE3-36	VE3-50	VE3-58	VE3-65	VE3-75
Input Voltage	42/3/200	42/3/200	42/3/200	42/3/200	42/3/200
Output watts	550	900	1100	1600	1750
Current (Start up +15%) amps	8.0	12.00	15.00	22.00	14.00
Thermal protection	Thermal protection as standard				Not fitted
Head Diameter mm	36	50	58	65	75
Head Length mm	370	380	430	395	430
Hose size Bore x Diameter mm	19 x 30	25 x 40	25 x 40	25 x 40	25 x 40
Hose length mtr	5 mtr as standard special build and extra cost available in 7,10 & 16mtr				
Cable Length mtr	10mtr as standard (recommended) 15mtr, 25 mtr available				
Total Weight 5mtr model kgs	12.00	14.00	15.00	19.00	20.00
Frequency vpm	12000	12000	12000	12000	12000
Amplitude	2.0	2.2	2.4	2.6	2.6
Centrifugal Force Newtons	1471	3335	5640	7063	7602
Centrifugal Force Kg	150	340	575	720	775
Weighted Vibration m/s ² (0.8mtr from head)	2.5	2.5	2.5	2.5	2.5
Output maximum m ³ /hr	20	30	35	40	45
Radius of Effectiveness cm	22.50	30.00	35.00	40.00	40.00
S P Level d(b)A	79	79	79	79	79

PENDULUM CONCRETE VIBRATOR

FUJIBULL offers various sizes of Pendulum-type concrete vibrator to meet with the customer's needs.



Various Sizes of Pendulum-type Vibrator



Various Types of Housing Available (Standard, Economy, Premium)

Model	CVP28	CVP32	CVP38	CVP45	CVP60
Dimension (DxL)	28x460 mm	32x470 mm	38x490 mm	45x500 mm	60x500 mm
Operating Weight	18 kg	18 kg	19 kg	20 kg	21 kg
Vibration Frequency	163-208 Hz 9800-12500 V μ m	163-208 Hz 9800-12500 V μ m	163-208 Hz 9800-12500 V μ m	163-208 Hz 9800-12500 V μ m	163-208 Hz 9800-12500 V μ m
Amplitude	1.1 mm	1.4 mm	1.6 mm	2 mm	2.4 mm

POWER UNIT

SUBMERSIBLE PUMP



Tumbler Type



Frame Type

FUJIBULL offers 2 types of Power Unit; "Tumbler" and "Frame" type.

Model	TEG-TR	VEG-TR
Total Weight	25 kg	25kg
Engine-Model	Subaru EX17D / Honda GX160	Subaru EX17D / Honda GX160
Max. Output	3.7 Kw (5.0 Hp)	3.7 Kw (5.0 Hp)
Type	Gasoline Tumbler type	Gasoline Frame type



FUJIBULL Submersible Pump is perfect for draining and removal of water from trenches and building site.

Model	VSP80
Total Weight (Pump Only)	7 kg
Discharge Diameter	76 mm
Max. Lift	17 l
Max. Capacity	1200 l/min.

JNP

JNP TRADING w.l.l

جي . ان . بي للتجارة ذ.م.م

SECTION

3



BUILDING EQUIPMENT

EQUIPMENTS DIVISION



JULIET ECO

32 - 36 - 40 - 45 - 50 - 55

CESOIE

MACHINES FOR NON-
EC COUNTRIES



JNP

JNP TRADING W.L.L

جي . ان . بي للتجارة ديم

Application: Particularly suitable for cutting small and medium diameter rod irons for the building industry, for use on building sites



CHARACTERISTICS

- Casing built in single cast iron block for a high degree of sturdiness and reliability
- Soft cut thanks to two reduced stages from model 32 to 55
- Equipped with a control lever and pedal
- Blades with 4 cutting sides

	Motor Power		65 kg / mm ²			85 kg / mm ²			Package Dimensions	Weight (kg)
	Hp	Kw	1	2	3	1	2	3		
ECO C32T	3	2,2	28	18	12	24	18	10	94x58xh80	340
ECO C36T	4	3	32	24	20	28	20	14	110x50xh90	500
ECO C38T	4	3	34	26	22	30	22	16	110x50xh90	500
ECO C42T	4	4	36	28	20	32	25	18	110x50xh90	500
ECO C52T	5,5	4	40	30	20	38	28	20	127x65xh95	630
ECO C55T	5,5	4	45	32	24	40	30	22	127x65xh95	630



27



MADE IN ITALY

ROMEO ECO

32 - 36 - 38 - 42 - 52 - 55 ROD BENDING



MACHINES FOR NON-EC COUNTRIES



Application: For bending small and medium diameter rod irons for the building industry, for use on building sites



CHARACTERISTICS

- Three phase motor 380V/50 Hz self-braking
- Reducer in steel
- Wheels for handling
- 2 bending speeds easily selectable
- Epoxy paint

	Motor Hp	Power Kw	65 kg / mm2			85 kg / mm2			Package Dimensions	Weight (kg)	RPM
			1	2	3	1	2	3			
ECO 32T	3	2,2	28	22	18	26	20	14	75x75xh88	295	12
ECO 36T	4	3	32	24	18	30	22	16	81x81xh90	365	9
ECO 38T	4	3	34	24	20	32	22	16	81x81xh90	370	9
ECO 42T	4	3	36	28	24	34	26	22	81x81xh90	370	9
ECO 52T	5,5	4	42	34	26	40	32	24	96x86xh90	600	8
ECO 55T	5,5	4	44	36	28	42	34	26	96x86xh90	600	7



28



MADE IN ITALY

SIERRA 315

WOOD SAWING BENCH

Applications: Suitable for a wide range of wood carpentry cutting operations on building sites. The cutting height is adjustable and the single and three phase motors have the right power to handle wooden planks, building site panels and wooden or laminate structural pieces. Transmissions is via 2 V belts which do not transmit motor vibrations to the cutting disc.

JNP

JNP TRADING W.L.L.

جي . ان . بي للتجارة د.م.م



CHARACTERISTICS

- Single phase motor 230V/50 Hz
- Switch with IP 55 minimum voltage coil
- IP 67 plug
- Mushroom emergency stop push button
- Adjustable cutting height
- 315 mm diameter wide tipped steel disc
- Disc protection guard in transparent polycarbonate
- Goniometer and bevel protractor in zinc coated steel
- Pusher
- Box-type sheet metal frame
- Zinc coated additional bench
- Lifting supports
- Possibility of three phase motor 380V/50 Hz

TECHNICAL DATA

		315
Disc diameter	mm	315
Disc rotation speed	RPM	2800
Single phase motor power	Kw	1,85
Volts / frequency (Single phase)	V / Hz	230 / 50
Three phase motor power	Kw	2,2
Volts / frequency (Three phase)	V / Hz	400 / 50
Height	mm	1040
Length (with bench closed)	mm	910
Length (with bench open)	mm	1530
Weight	Kg	81
	mm	100



29



MADE IN ITALY



Construction Equipment

Technical Data Sheet

BOAT SKIPS

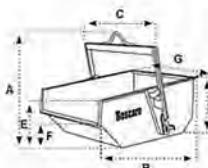
Self discharging boat skip

A-D Model

YOUR NEW RIGHT-HAND MAN.

We offer our customers this range of boat skips with self dumping system, used for general muck and waste removal. These high quality skips guarantee an easy and safe work as they empty automatically without the help of any assistant. This special and modern system of release eliminates the risk for the operator to enter the danger zone where the bucket is working. The low loading height and drop down bale arm make the filling process very easy. This product is manufactured in an extensive range of sizes as listed below. Boscaro produced one of the largest under-hook self dumping bins of the World: Check it [HERE!!](#) This model is available also galvanized. The galvanization process gives the bucket a higher quality and a longer life, as it forms a coating of corrosion-resistant zinc which prevents corrosive substances from reaching the more delicate part of the metal.

All our buckets are built to meet or exceed the regulations of EN, ASME and UNI and come with the required labels, certificates and user and maintenance manual. All our products are covered by a 1-year warranty (EU Directive).



MODEL	CAPACITY (Lt)	DIMENSIONS (mm)							CAPACITY (kg)	WEIGHT (kg)
		A	B	C	D	E	F	G		
A-20D	200	800	1000	850	480	370	250	780	400	60
A-30D	300	980	1180	850	540	460	350	780	600	80
A-35D	350	980	1180	950	540	460	350	880	700	85
A-40D	400	980	1180	1050	540	460	350	980	800	90
A-50D	500	1080	1280	1050	600	500	380	980	1000	100
A-60D	600	1080	1280	1150	600	500	380	1080	1200	110
A-80D	800	1240	1520	1160	760	620	350	1080	1600	125
A-99D	1000	1360	1680	1380	860	660	400	1280	2000	190
A-150D	1500	1370	1700	1430	860	860	640	1340	3000	210
A-99DR HEAVY DUTY	1000	1358	1694	1266	769	665	377	1118	2000	230
A-150DR HEAVY DUTY	1500	1472	1787	1278	904	805	485	1108	3000	300
A-200D	2000	1518	1970	1612	946	840	530	1412	4000	550
A-300D	3000	1625	2146	1962	1006	900	580	1762	6000	670
A-400D	4000	2036	2551	2268	1130	1011	710	2062	8000	1150
A-600D	6000	2416	2830	2272	1436	1330	880	2066	12000	1755
A-800D	8000	2743	3425	2269	1736	1610	1072	2066	16000	2960
A-1000D	10000	3007	4021	2269	1858	1710	1163	2066	20000	4050

Construction Equipment Technical Data Sheet

HANDLING EQUIPMENT

Kerb grab

PZC

Grippers for handling kerbs and edge blocks. Can be manually operated by means of the appropriate side handles and with the crane.



MODEL	CAPACITY (Kg)	ADJUSTMENT (mm)	WEIGHT (kg)
PZC	150	50-240	13
PZC-M	500	50-240	15
PZC-30	600	200-300	25
PZC-40	600	300-400	32
PZC-60	400	500-600	41
PZC-70	400	600-700	60



Construction Equipment Technical Data Sheet

HANDLING EQUIPMENT

Kerb Stone Handle

PZC-E

Steel clamp for the transport and placement of kerbstones and stone blocks.



MODEL	CAPACITY (Kg)	ADJ.	WEIGHT (kg)
PZC-E	150	50-380	4

JNP

JNP TRADING S.R.L.
جي. ان. بي للتجارة

EXPERT 700



Sistema di regolazione dell'altezza di taglio mediante volantino e relativa leva di bloccaggio.

Adjustment system of the cutting height with an hand wheel and relevant locking lever

STRUTTURA

In alluminio trafilato per avere il massimo della solidità e, nel contempo, leggerezza. Provvista di quattro maniglie per il trasporto e la movimentazione.

STRUCTURE

Aluminium draw-plate to get the maximum of rigidity and lightness at the same time. It has four handles for the carriage and movement.



Rigida struttura portante a ponte per supportare il gruppo testa motore.

Strong framework bridge holding the head motor group.

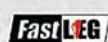
DOPPIA MANIGLIA SPINGI CARRELLO per la massima protezione dell'operatore.

DOUBLE HANDLE ON THE WORKING TABLE to get the maximum safe to the operator.

SEGATRICI PER BLOCCHI E MATERIALI DI GROSSE DIMENSIONI
STONE SAWS



Art. 9700Z



Caratteristiche tecniche / Technical data

	550 mm
	389 x 389 mm
	270 mm
	340 mm
	700 mm / 25,4 mm
	5,5Hp/4Kw
	1400 min ⁻¹
	72x160x108 cm
	2pz / 205 Kg
	72x160x180 cm

EXPERT 700 400V-50/60Hz SRS



Euro

Art.



1 95,0

Segatrice adatta al taglio di laterizi, manufatti in poroton, blocchi lapidei.

Stone saw ideal for cutting bricks, poroton blocks, marble blocks.

Equipaggiata con:

- Motore trifase 400V-50/60Hz 5,5Hp/4Kw con protezione termica e amperometrica
- Segnalatore acustico SRS
- Testa di taglio regolabile
- Carrello scorrevole
- Kit ruote
- Pompa ricircolo acqua tipo S3

Disco Ø700 non incluso.

Equipped with:

- Three phases engine 400V 50/60Hz 5,5Hp/4Kw with thermal and amperometrical protection
- Sound rotation security SRS
- Adjustable cutting head
- Sliding working table
- Kit wheels
- Water recycling pump type S3

Disk Ø 700 not included.

EXPERT 700 400V-50/60Hz



3.090,00

9700

8021410044134

1 95,0

Accessori / Fittings

		Euro	Art.	Barcode	Quantity	Price
Kit avvisatore di fase SRS	SRS kit	200,00	90451Z	8021410059459	1	0,4
Kit ruote	Kit wheels	70,00	90102R	8021410044073	1	5,0
Presa CEE 400V + prolunga 3 mt.	CEE socket 400V + cable 3 mt.	40,00	SP90159/T380	8021410054058	1	0,7
Pompa tipo S3	Water Pump type S3	60,00	S3	8021410033145	6	9,0
Disco diamantato Ø 700 laser universale	Diamond disk Ø 700 laser universal	640,00	897	8021410044202	1	10,5

EXPERT 700 230V-50Hz



Euro

Art.



1 95,0

- Motore monofase 4,5Hp/3,5Kw

- Single phase motor 4,5Hp/3,5Kw

3.150,00

9700/M

8021410052818

1 95,0

Accessori / Fittings

		Euro	Art.	Barcode	Quantity	Price
Presa CEE 230V + prolunga 3 mt. + spina SHUKO	CEE socket 230V + cable 3mt. + SHUKO plug	22,00	SP90159	8021410054027	1	0,7



JNP

JNP TRADING s.r.l.
جي. ان. بي للتجارة

ELITE 80



45°

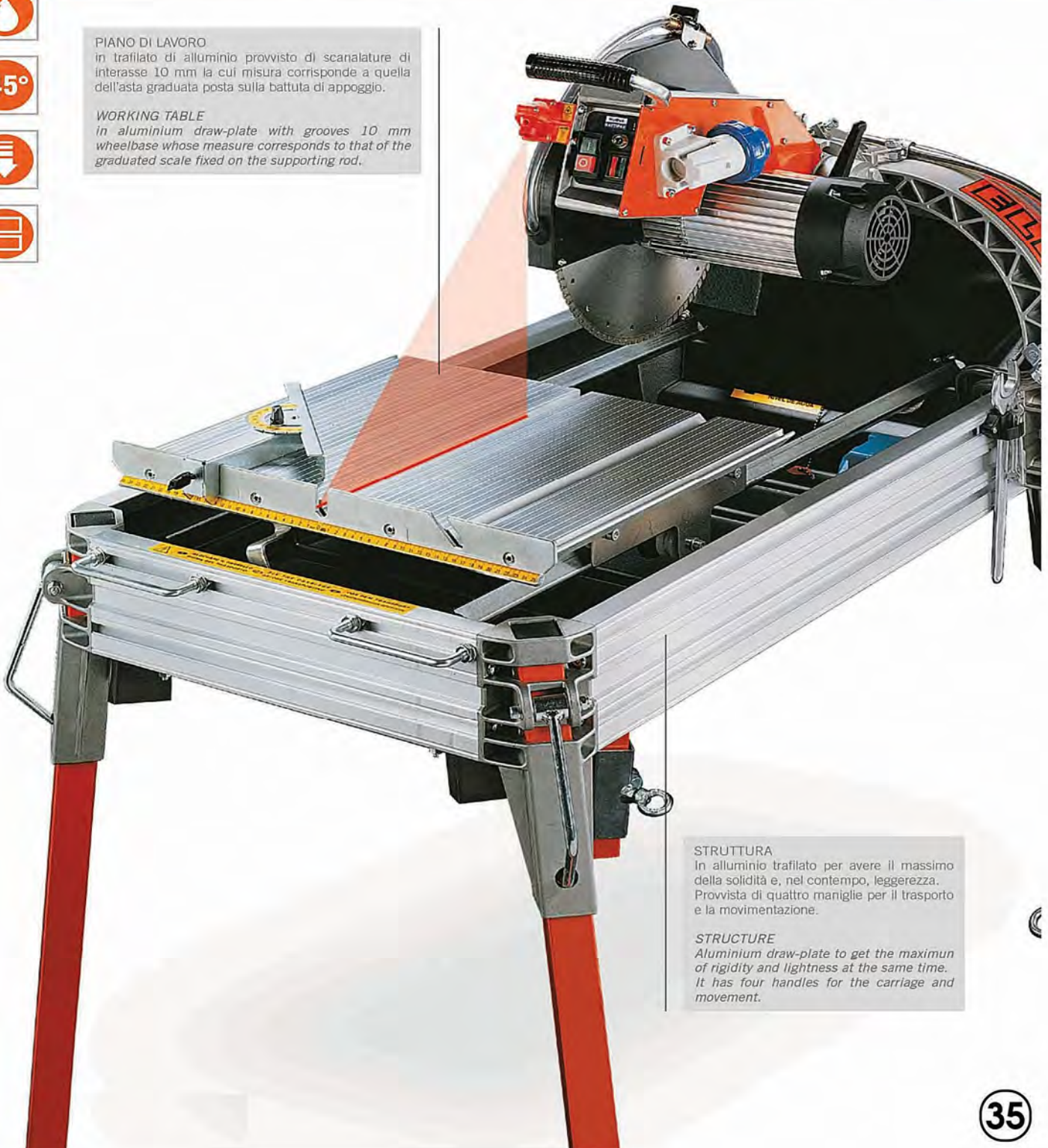


PIANO DI LAVORO

in trafilato di alluminio provvisto di scanalature di interasse 10 mm la cui misura corrisponde a quella dell'asta graduata posta sulla battuta di appoggio.

WORKING TABLE

in aluminium draw-plate with grooves 10 mm wheelbase whose measure corresponds to that of the graduated scale fixed on the supporting rod.



STRUTTURA

In alluminio trafilato per avere il massimo della solidità e, nel contempo, leggerezza. Provvista di quattro maniglie per il trasporto e la movimentazione.

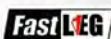
STRUCTURE

Aluminium draw-plate to get the maximum of rigidity and lightness at the same time. It has four handles for the carriage and movement.



**SEGATRICI PER EDILIZIA
 MASONRY SAWS**

Art. 9001



Caratteristiche tecniche / Technical data

	800 mm
	566x566 mm
	110 mm
	130 mm
	80 mm
	350 mm / 25,4 mm
	3Hp/2,2 Kw
	2800 min ⁻¹
	80x120x97 cm
	3 pz / 224 Kg
	80x120x226 cm

ELITE 80S	Euro	Art.	Barcode	Box	Weight
-----------	------	------	---------	-----	--------

Segatrice ideale per il cantiere edile per il taglio dritto e a 45° di laterizi, pietre, materiali lapidei, mattoni, blocchi di cemento.

Equipaggiata con:

- Motore monofase 230V-50Hz 3Hp/2,2Kw con protezione termica e amperometrica
- Disgiuntore di corrente a riarmo manuale
- Carrello scorrevole e testa di taglio basculante
- Tracciatore laser
- Kit ruote
- Pompa ricircolo acqua tipo S2

Disco Ø 350 non incluso.

Masonry saw ideal for the building sector suitable for straight and 45° angle cuts of bricks, stones, concrete-blocks, granite, marble and natural stones.

Equipped with:

- Single phase engine 230V 50Hz 3Hp/2,2Kw with thermal and amperometrical protection
- Overheat protection with manual reset
- Sliding working table and tilting cutting head
- Laser instrument
- Kit wheels
- Water recycling pump type S2

Disk Ø 350 not included.

1.710,00

9001

8021410090018

1 68,0

Accessori / Fittings

Accessori / Fittings		Euro	Art.	Barcode	Box	Weight
Tracciatore Laser	Laser instrument	140,00	90109	8021410901093	1	0,3
Kit ruote	Kit wheels	70,00	90102R	8021410044073	1	5,0
Presa CEE 230V + prolunga 3 mt. + spina SHUKO	CEE socket 230V + cable 3mt. + SHUKO plug	22,00	SP90159	8021410054027	1	0,7
Pompa tipo S2	Water Pump type S2	57,00	S2	8021410032667	12	14,6
Disco diamantato Ø 350 c/c ceramica	Diamond disk Ø 350 c/c ceramic	115,00	CSMP350400	8714452079485	1	1,8
Disco diamantato Ø 350 laser universale	Diamond disk Ø 350 laser universal	155,00	CNE3504DC0	8714452110249	1	1,8
Disco diamantato Ø 350 turbo gres/marmo	Diamond disk Ø 350 turbo for gres/marble	125,00	CDC3504000	8714452075982	1	1,8
Disco diamantato Ø 350 laser granito	Diamond disk Ø 350 laser for granite	190,00	CNTS3504D0	8714452082522	1	1,8



SELF PRIMING CENTRIFUGAL PUMP

GASOLINE ENGINE PUMP

- SELF-PRIMING PUMP requires no water for subsequent pumping operation once initial pumping is done, and the pumping capacity is large.
- EFFICIENT, ECONOMICAL OPERATION is assured by directly coupled pump. It provides compactness and guarantees that power is not lost.
- WATER-RESISTING QUALITIES are prominent by adopting mechanical seal and the impellers which are made of special cast iron.
- HIGHLY ADVANCED ROBIN GASOLINE ENGINE, which is powerful and durable ensures easy maintenance and trouble-free operation.

Model **PTG109**
PTG155
PTG208
PTG209
PTG307
PTG405

PTG109



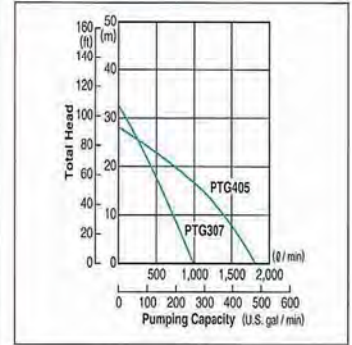
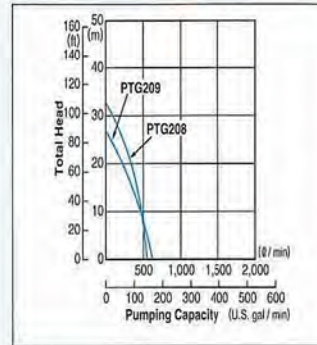
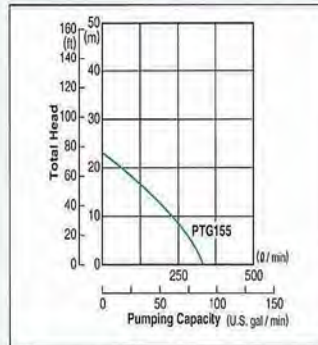
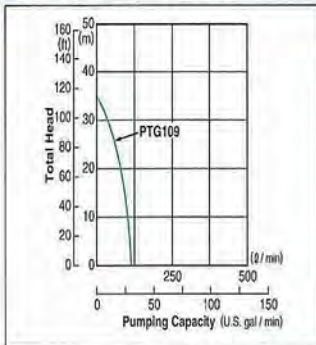
PTG155



PTG307



PERFORMANCE CURVE



SPECIFICATIONS

Model	PTG109	PTG155	PTG208	PTG209
Type	Self-priming, Centrifugal pump			
Suction×Delivery Diameters	25.4×25.4mm(1×1in.)	38.1×38.1mm(1.5×1.5in.)	50.8×50.8mm(2×2in.)	
Total Head	35m	23m	32m	26m
Maximum Delivery Volume	120 ℓ/min	320 ℓ/min	520 ℓ/min	600 ℓ/min
Suction Head	8.5m	8m		
Axle Seal Material(Mechanical Seal)	Ceramic-carbon			
Model	EC025GR	EY08D	EY15-3D	
Type	Robin Air-cooled, 2-stroke, Gasoline engine	Robin Air-cooled, 4-stroke, Gasoline engine		
Fuel	Mixture fuel (Automobile gasoline : Engine oil=25:1)	Automobile gasoline		
Fuel Tank Capacity	0.6L	1.5L	2.8L	
Starting System	Recoil starter			
Dimensions (L×W×H)	275×212×298mm	382×285×357mm	470×355×419mm	470×355×419mm
Net Weight	5.1kg	9.8kg	23.5kg	22.5kg
Standard Accessories	Engine tool kit (1 set), Strainer (1 pc.), Hose coupling (2 pcs.), Hose band (3 pcs.)			

PTG307	PTG405
Self-priming, Centrifugal pump	
76.2×76.2mm(3×3in.)	101.6×101.6mm(4×4in.)
32m	28m
1000 ℓ/min	1800 ℓ/min
8m	
Ceramic-carbon	
EY20-3D	EY28D
Robin Air-cooled, 4-stroke, Gasoline engine	
Automobile gasoline	
3.8L	5.5L
Recoil starter	
527×379×422mm	618×485×570mm
26.4kg	44.1kg
Engine tool kit (1 set), Strainer (1 pc.), Hose coupling (2 pcs.), Hose band (3 pcs.)	

Specifications are subject to change without notice.

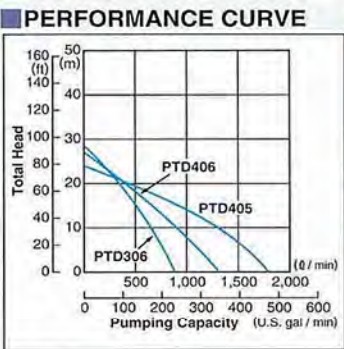


SELF PRIMING CENTRIFUGAL PUMP

- SELF-PRIMING PUMP requires no water for subsequent pumping operation once initial pumping is done, and the pumping capacity is large.
- EFFICIENT, ECONOMICAL OPERATION is assured by directly coupled pump. It provides compactness and guarantees that power is not lost.
- WATER-RESISTING QUALITIES are prominent by adopting mechanical seal and the impellers which are made of special cast iron.
- HIGHLY ADVANCED ROBIN GASOLINE ENGINE, which is powerful and durable ensures easy maintenance and trouble-free operation.

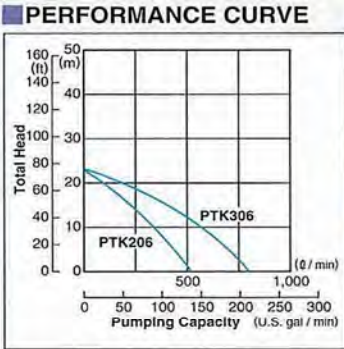
DIESEL ENGINE PUMP

Model PTD306/PTD406/PTD405



KEROSENE ENGINE PUMP

Model PTK206/PTK306



SPECIFICATIONS

Model		PTD306	PTD406	PTD405	PTK206	PTK306	
PUMP	Type	Self-priming, Centrifugal pump				Self-priming, Centrifugal pump	
	Suction×Delivery Diameters	76.2×76.2mm(3×3in.)	101.6×101.6mm(4×4in.)	101.6×101.6mm(4×4in.)	50.8×50.8mm(2×2in.)	76.2×76.2mm(3×3in.)	
	Total Head	28m	27m	24m	23m		
	Maximum Delivery Volume	900 l/min	1300 l/min	1800 l/min	520 l/min	800 l/min	
	Suction Head	8m				8m	
Axle Seal Material(Mechanical Seal)		Ceramic-carbon				Ceramic-carbon	
ENGINE	Model	DY23-2D	DY27-2D	DY35D	EY15-3DK	EY20-3DK	
	Type	Robin Air-cooled, 4-stroke, Diesel engine				Robin Air-cooled, 4-stroke, Kerosene engine	
	Fuel	Diesel light oil				Kerosene (Automobile gasoline for starting)	
	Fuel Tank Capacity	3.2L		4.5L		Kerosene 2.6L Gasoline 0.13L	Kerosene 3.4L Gasoline 0.17L
	Starting System	Recoil starter			Recoil starter Hand cranking (Recoil starter as option)		
	Dimensions (L×W×H)	590×410×510mm	680×410×590mm	685×485×592mm		470×355×419mm	527×379×422mm
	Net Weight	43.5kg	52.2kg	69.6kg		24kg	27.5kg
Standard Accessories		Engine tool kit (1 set), Strainer (1 pc.), Hose coupling (2 pcs.), Hose band (3 pcs.)				Engine tool kit (1 set), Strainer (1 pc.), Hose coupling (2 pcs.), Hose band (3 pcs.)	
With Wheel Kit & Stand	Dimensions (L×W×H)	—		970×685×720mm		—	
	Net Weight	—		76.6kg		—	

Specifications are subject to change without notice.

CONSTRUCTION PUMPS



Construction Pumps

The construction and rental businesses have relied on Honda Pumps for over twenty years. Why? In a word, performance. They're so durable there's virtually no downtime, yet they're extremely long-lasting. When it comes to value, what more could you ask for? Well, how about full frame protection, Honda reliability and a complete selection of models offering pumping capabilities up to 423 gallons per minute. You get it all with Honda.

TRASH PUMPS



Honda trash pumps are specially designed for job sites and applications where high volume trash water capacity is required. Honda WT series pumps offer highly desired features including our legendary, easy-starting and reliable OHV commercial-grade engine, rugged full frame protection, quick release clean-out and durable silicon carbide mechanical seals. Other Honda WT features include a unique conical impeller for improved priming and durability, replaceable stainless steel wear plate for extended life and a convenient multi-tool for on-site pump servicing and clean-out.



WT Series Features



Convenient multi-tool for on-site pump servicing and clean-out.



Easy service access port.



CONSTRUCTION PUMPS

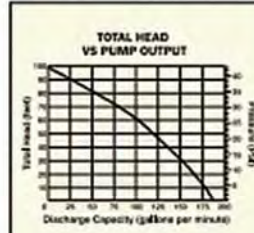
TRASH PUMPS



WT20XK4

- Heavy-duty 2" construction trash pump
- Easy-starting Honda OHV commercial-grade engine
- 185 gal/min capacity
- Solid handling capability up to 1 1/2"
- Easy-to-use quick clean out port
- Easy-to-service impeller wear plate

- Standard strainer and service tool
- Protected by Honda Oil Alert®



WT30XK4

- Heavy-duty 3" construction trash pump
- Easy-starting Honda OHV commercial-grade engine
- Full frame protection
- 317 gal/min capacity
- Solid handling capability up to 1 1/2"
- Easy-to-use quick clean out port
- Standard strainer and service tool

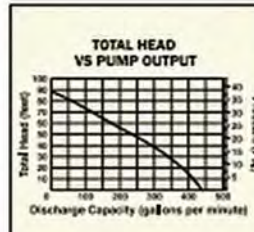
- Easy-to-service impeller wear plate
- Protected by Honda Oil Alert®



WT40XK3

- Heavy-duty 4" construction trash pump
- Easy-starting Honda OHV commercial-grade engine
- Full frame protection
- 423 gal/min capacity
- Solid handling capability up to 1 1/2"
- Easy-to-use quick clean out port
- Standard strainer and service tool

- Easy-to-service impeller wear plate
- Protected by Honda Oil Alert®



Silicon carbide mechanical seal for high durability.



High-performance mounts minimize vibration.



Rugged full frame.



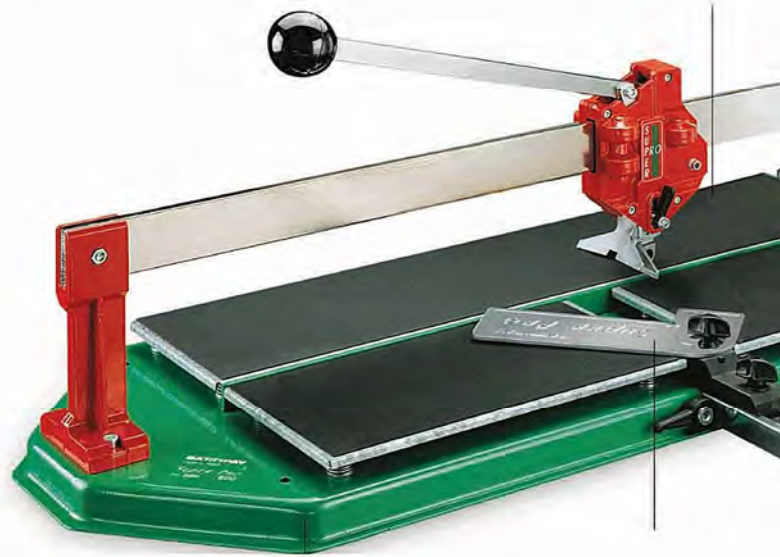
Conical impeller and stainless steel wear plate for superior performance.

JNP

JNP TRADING W.L.L

جي . ان . بي للتجارة ذ.م.م

SECTION 4



FINISHING EQUIPMENT

EQUIPMENTS DIVISION



HONDA
The Power of Dreams

JNP

JNP TRADING s.r.l.
جي. ان. بي للتجارة

SUPREME



TRAVE

in alluminio estruso ad alta resistenza alla torsione. Provvista di guide cuscinetti in acciaio inox intercambiabili e di una scala millimetrata graduata per una rapida esecuzione dei tagli.

BRIDGE

The rail is in extrusion of aluminium at high resistance to the torsional stress. It's equipped with interchangeable stainless steel bearings-tracks. Absolute cutting precision.



Struttura in alluminio estruso per avere il massimo della solidità e della leggerezza.

Alluminium draw-plate to get the maximum of rigidity and lightness at the same time.

SQUADRA GONIOMETRICA professionale di serie e battuta millimetrata.

GONIOMETER FENCE
A professional adjustable goniometer fence is included.

SEGATRICI PER MARMO MARBLE BRIDGE SAWS



Art. 8200









Spray System

Fast LEG

wdec

Caratteristiche tecniche / Technical data

	2000 mm
	1410x1410 mm
	85 mm
	135 mm
	60 mm
	300 mm / 25,4 mm
	3Hp/2,2 Kw
	2800 min ⁻¹
	72x275x100 cm
	3 pz / 321 Kg
	72x275x226 cm

SUPREME 200

Euro

Art.

8021410050852

1 99,0

Segatrice a ponte ideale per il taglio diritto e a 45° di pietre naturali, granito e marmo.

Bridge saw ideal for straight and 45° angle cuts of natural-stones, granite and marble slabs.

Equipaggiata con:

- Motore monofase 230V~50Hz 3Hp/2,2Kw con protezione termica e amperometrica
- Disgiuntore di corrente a riarmo manuale
- Testa di taglio scorrevole e motore basculante
- Avanzamento taglio con volantino
- Pompa ricircolo acqua tipo S3

Disco Ø 300 non incluso.

Equipped with:

- Single phase engine 230V 50Hz 3Hp/2,2Kw with thermal and amperometrical protection
- Overheat protection with manual reset
- Sliding cutting head and tilting engine
- Cutting progress system with hand wheel
- Water recycling pump type S3

Disk Ø 300 not included.

Accessori / Fittings

Accessori / Fittings		Art.	Barcode	Box	Weight
Tracciatore Laser	Laser instrument	140,00 90169	8021410021166	1	0,3
Kit ruote	Kit wheels	70,00 90102R	8021410044073	1	5,0
Prolunga piano lavoro 60x50 cm	Extension side-bench 60x50 cm	130,00 90241	8021410022132	1	9,0
Prolunga piano lavoro con rulli 60x80 cm	Extension side-bench with rollers 60x80 cm	270,00 90258C	8021410041447	1	15,0
Appoggio laterale piastrella	Side tile support	120,00 90167/200	8021410054386	1	4,2
Asola lunga per appoggio laterale	Long slot for side tile support	50,00 90167/15	8021410059473	1	1,7
Presa CEE 230V + prolunga 3 mt. + spina SHUKO	CEE socket 230V + cable 3mt. + SHUKO plug	22,00 SP90159	8021410054027	1	0,7
Pompa tipo S3	Water Pump type S3	60,00 S3	8021410033145	6	9,0
Disco diamantato Ø 300 c/c ceramica	Diamond disk Ø 300 c/c ceramic	92,00 CSMP300400	8714452079461	1	1,2
Disco diamantato Ø 300 c/c universale	Diamond disk Ø 300 c/c universal	120,00 CNE3004DC0	8714452110225	1	1,2
Disco diamantato Ø 300 turbo gres/marmo	Diamond disk Ø 300 turbo gres/marble	105,00 CDC3004000	8714452220443	1	1,2
Disco diamantato Ø 300 laser granito	Diamond disk Ø 300 laser granite	160,00 CNTS3004D0	8714452082515	1	1,2





**SEGATRICI PER MARMO
MARBLE BRIDGE SAWS**

Art. 81201



Caratteristiche tecniche / Technical data

	1200 mm
	849x849 mm
	85 mm
	135 mm
	60 mm
	300 mm / 25,4 mm
	3Hp/2,2 Kw
	2800 min ⁻¹
	72x195x100 cm
	3 pz / 290 Kg
	72x195x226 cm

SUPREME 120S

Segatrice a ponte ideale per il taglio diritto e a 45° di pietre naturali, granito e marmo.

Equipaggiata con:

- Motore monofase 230V~50Hz 3Hp/2,2Kw con protezione termica e amperometrica
 - Disgiuntore di corrente a riarmo manuale
 - Testa di taglio scorrevole e motore basculante
 - Avanzamento taglio con volantino
 - Tracciatore laser
 - Kit ruote
 - Pompa ricircolo acqua tipo S3
- Disco Ø 300 non incluso.**

Bridge saw ideal for straight and 45° angle cuts of natural-stones, granite and marble slabs.

Equipped with:

- Single phase engine 230V 50Hz 3Hp/2,2Kw with thermal and amperometrical protection
 - Overheat protection with manual reset
 - Sliding cutting head and tilting engine
 - Cutting progress system with hand wheel
 - Laser instrument
 - Kit wheels
 - Water recycling pump type S3
- Disk Ø 300 not included.**

Euro 2.230,00

Art. 81201

8021410041201

1 91,0

Accessori / Fittings

Accessori / Fittings		Euro	Art.	Barcode	Box	Weight
Tracciatore Laser	Laser instrument	140,00	90169	8021410021166	1	0,3
Kit ruote	Kit wheels	70,00	90102R	8021410044073	1	5,0
Prolunga piano lavoro 60x50 cm	Extension side-bench 60x50 cm	130,00	90241	8021410022132	1	9,0
Prolunga piano lavoro con rulli 60x80 cm	Extension side-bench with rollers 60x80 cm	270,00	90258C	8021410041447	1	15,0
Appoggio laterale piastrella	Side tile support	115,00	90167/120	8021410021050	1	3,6
Asola lunga per appoggio laterale	Long slot for side tile support	50,00	90167/15	8021410059473	1	1,7
Presa CEE 230V + prolunga 3 mt. + spina SHUKO	CEE socket 230V + cable 3mt. + SHUKO plug	22,00	SP90159	8021410054027	1	0,7
Pompa tipo S3	Water Pump type S3	60,00	S3	8021410033145	6	9,0
Disco diamantato Ø 300 c/c ceramica	Diamond disk Ø 300 c/c ceramic	92,00	CSMP300400	8714452079461	1	1,2
Disco diamantato Ø 300 c/c universale	Diamond disk Ø 300 c/c universal	120,00	CNE3004DC0	8714452110225	1	1,2
Disco diamantato Ø 300 turbo gres/marmo	Diamond disk Ø 300 turbo gres/marble	105,00	CDC3004000	8714452220443	1	1,2
Disco diamantato Ø 300 laser granito	Diamond disk Ø 300 laser granite	160,00	CNTS300400	8714452082515	1	1,2



JNP

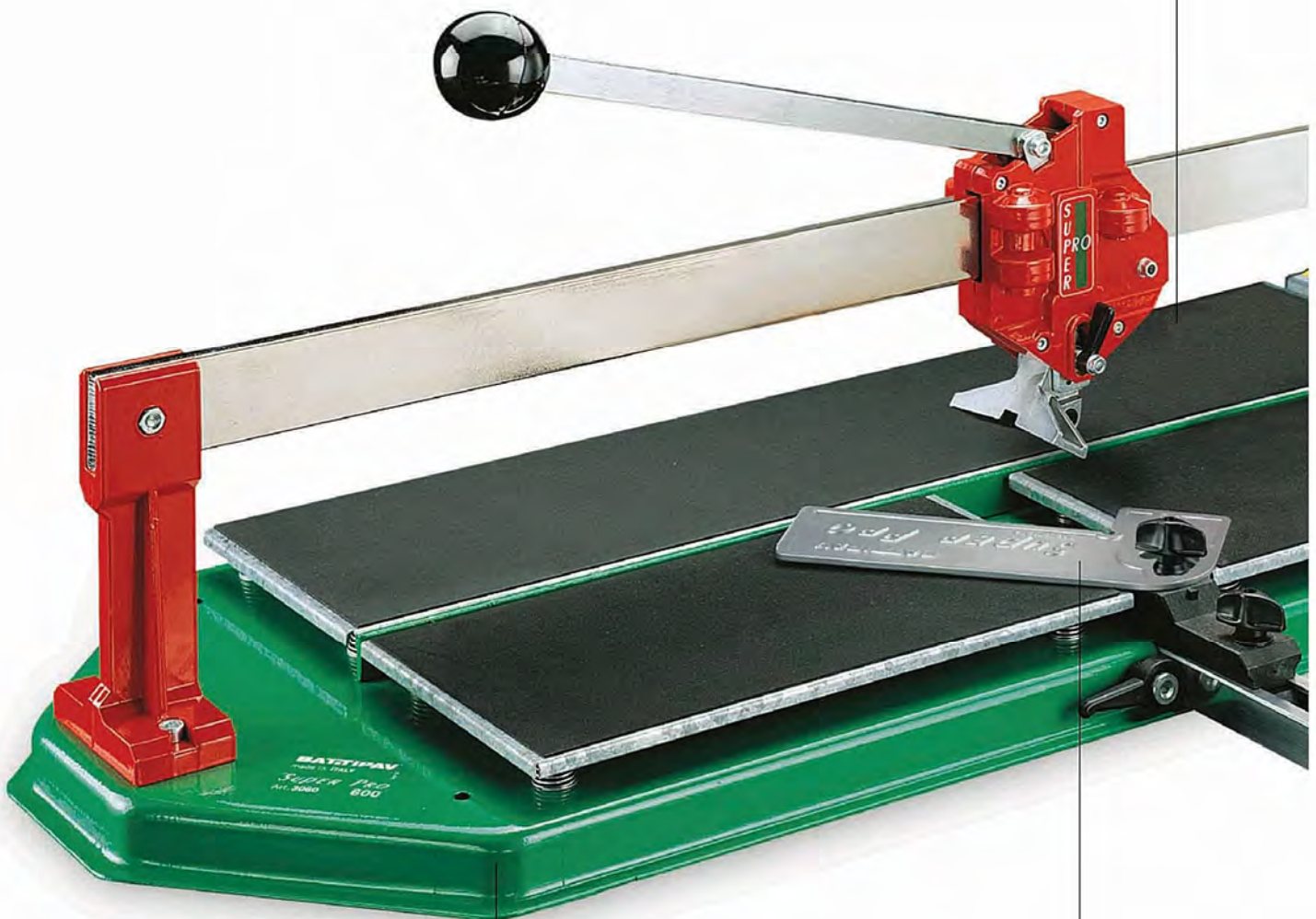
JNP TRADING S.R.L.
جي. ان. بي للتجارة



SUPER PRO

Incisione a spinta e piano di lavoro provvisto di molle per facilitare la separazione delle piastrelle.

Cutting to push and working table with springs to make the tiles' break easier.



Struttura della macchina in lamiera, molto solida e robusta.

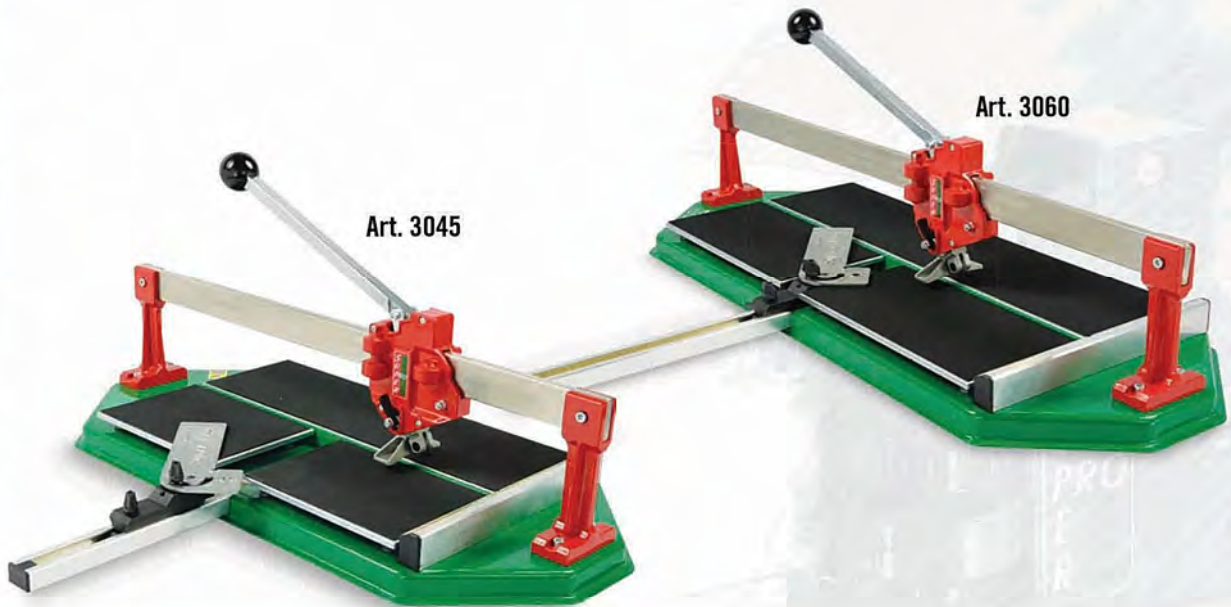
Very strong sheet body.

Squadra di appoggio con lettura diretta della misura per tagli dritti e in diagonale.

Diagonal fence with direct reading of the measurement on its supporting rod.



TAGLIAPIASTRELLE SUPER PRO
MANUAL TILE CUTTER SUPER PRO



SUPER PRO 450		Euro	Art.	Barcode	Box	Weight
<p>Tagliapiastrelle super professionale per tagli dritti e in diagonale di ceramica, monocottura e gres. Carrello con nove cuscinetti a sfera. Completa di squadretta. - Lunghezza max. di taglio 450 mm - F.to piastrella per taglio in diagonale: 31x31 cm</p>	<p>Super professional tile cutters for diagonal and straight cuts on single-double fired ceramic and gres. Carriage with nine ball-bearings. Diagonal fence included. - Cutting length up to 450 mm - Size tile for diagonal cutting: 31x31 cm</p>	250,00	3045	8021410030458	1	13,1
Ricambi / Spare parts			Art.	Barcode <td>Box</td> <td>Weight</td>	Box	Weight
Kit rotella di ricambio Ø22x6,1x4,7 mm		8,60	492	8021410004923	6	0,2

SUPER PRO 600		Euro	Art.	Barcode	Box	Weight
<p>Tagliapiastrelle super professionale per tagli dritti e in diagonale di ceramica, monocottura e gres. Carrello con nove cuscinetti a sfera. Completa di squadretta. - Lunghezza max. di taglio 600 mm - F.to piastrella per taglio in diagonale: 42x42 cm</p>	<p>Super professional tile cutters for diagonal and straight cuts on single-double fired ceramic and gres. Carriage with nine ball-bearings. Diagonal fence included. - Cutting length up to 600 mm - Size tile for diagonal cutting: 42x42 cm</p>	270,00	3060	8021410030601	1	15,4
Ricambi / Spare parts			Art.	Barcode <td>Box</td> <td>Weight</td>	Box	Weight
Kit rotella di ricambio Ø22x6,1x4,7 mm		8,60	492	8021410004923	6	0,2



TAGLIAPIASTRELLE SUPER PRO MANUAL TILE CUTTER SUPER PRO



Art. 3090

Art. 3075

SUPER PRO 750

Tagliapiastrelle super professionale per tagli dritti e in diagonale di ceramica, monocottura e gres.
Carrello con nove cuscinetti a sfera.
Completa di squadretta.
- Lunghezza max. di taglio 750 mm
- F.to piastrella per taglio in diagonale: 52x52 cm

Super professional tile cutters for diagonal and straight cuts on single-double fired ceramic and gres.
Carriage with nine ball-bearings.
Diagonal fence included.
- Cutting length up to 750 mm
- Size tile for diagonal cutting: 52x52 cm

Euro	Art.	Barcode	Box	Weight
320,00	3075	8021410030755	1	17,8

Ricambi / Spare parts

Kit rotella di ricambio Ø22x6,1x4,7 mm Kit spare wheel Ø22x6,1x4,7 mm

Euro	Art.	Barcode	Box	Weight
8,60	492	8021410004923	6	0,2

SUPER PRO 900

Tagliapiastrelle super professionale per tagli dritti e in diagonale di ceramica, monocottura e gres.
Carrello con nove cuscinetti a sfera.
Completa di squadretta.
- Lunghezza max. di taglio 900 mm
- F.to piastrella per taglio in diagonale: 63x63 cm

Super professional tile cutters for diagonal and straight cuts on single-double fired ceramic and gres.
Carriage with nine ball-bearings.
Diagonal fence included.
- Cutting length up to 900 mm
- Size tile for diagonal cutting: 63x63 cm

Euro	Art.	Barcode	Box	Weight
360,00	3090	8021410030908	1	20,2

Ricambi / Spare parts

Kit rotella di ricambio Ø22x6,1x4,7 mm Kit spare wheel Ø22x6,1x4,7 mm

Euro	Art.	Barcode	Box	Weight
8,60	492	8021410004923	6	0,2

Caratteristiche tecniche / Technical data

Art.	Width	Depth	Height	Wheel	Box	Weight	Dimensions
3090	900 mm	636x636 mm	5-19 mm	Ø22x6,1x4,7 mm	116x34x16 cm	22 pz / 456 kg	73x117x204 cm
3075	750 mm	530x530 mm	5-19 mm	Ø22x6,1x4,7 mm	101x34x16 cm	22 pz / 401 kg	73x103x204 cm
3060	600 mm	424x424 mm	5-19 mm	Ø22x6,1x4,7 mm	86x34x16 cm	22 pz / 347 kg	73x87x204 cm
3045	450 mm	318x318 mm	5-19 mm	Ø22x6,1x4,7 mm	72x34x16 cm	33 pz / 444 kg	73x117x204 cm

RIDE-ON TROWELS

PRO900X2



Model	: Pro 900 x 2
Type	: Center-engine, High Rider Double Disc Ride-on Trowel
L x W x H (PRO900X2)	: 2244 x 1105 x 1490 mm
L x W x H (PRO900X2PS)†	: 2244 x 1105 x 1430 mm
Weight	: 410 – 424 kg
Rotors	: Dual 4 Bladed
Optional	: Dual 5 Bladed Dual 6 Bladed
Gearbox	: Maintenance Free, Extreme – Duty Air Cooled
Reduction	: 1:17
Drive	: Torque Converter Triggered HD V-Belt drive
Trowelling Length	: 2120 mm
Trowelling Width	: 976mm
Trowelling Area	: 2.07 m ²
Trowelling Speed	: Variable speed 60 -160 rpm
Fuel Tank	: 21 lt.
Water tank	: 21 lt.
Gasoline Engine	: B&S Vanguard (31.0 HP)

- | | |
|-----------------------------------|--|
| Standard; | Optional ; |
| * Dead man's handle safety switch | * Cruise Control |
| * Transport Kit | * Hour-Meter |
| * Lifting Eyes | * Seat safety cut off switch
(Replaces Dead man's handle safety switch) |
| * Adjustable operator's seat | * 4 – Headlights |
| * Water Spraying Kit | |
| * 2- Head Lights | |

*Power Steering



Consumables

Stock Code	Description
11. PD900PRO 4BL	900 DISC 1010mm 3,0mm 4BL
11. PD900PRO 5BL	900 DISC 1010mm 3,0mm 5BL
11. PD900PRO 6BL	900 DISC 1010mm 3,0mm 6BL
11. PBT900	BLADE

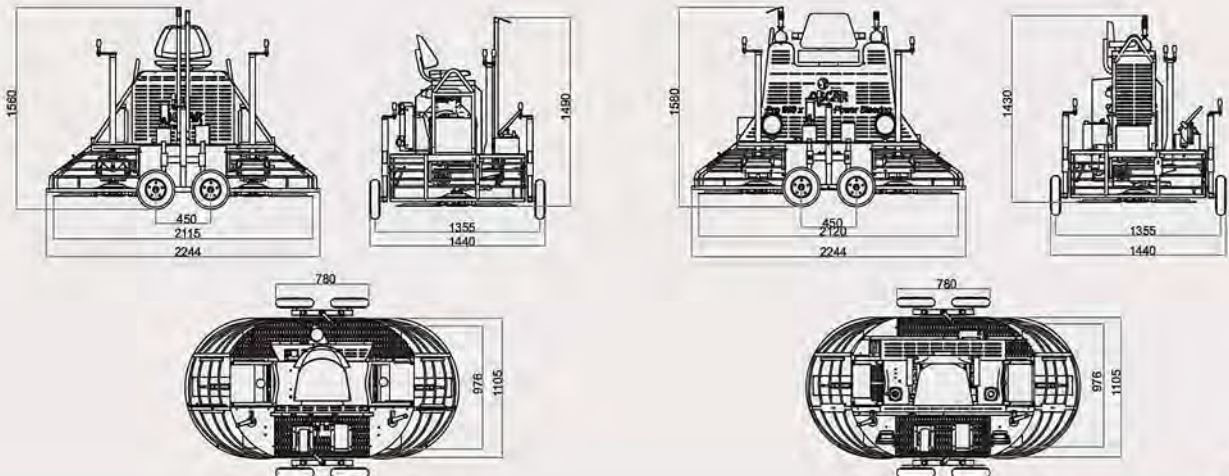
Machine Codes

Stock Code	Description
10. PRO 900x2 TC BS31-4BL	RIDE-ON TROWEL 31,0HP BS-TORQUE CONVERTER-4 BLADE
10. PRO 900x2 TC BS31-5BL	RIDE-ON TROWEL 31,0HP BS-TORQUE CONVERTER-5 BLADE
10. PRO 900x2 TC BS31-6BL	RIDE-ON TROWEL 31,0HP BS-TORQUE CONVERTER-6 BLADE
10. PRO900x2 PSTC BS31 4BL	RIDE-ON TROWEL HYDRAULIC STEERING 31,0HP BS-TORQUE CON.-4 BL.
10. PRO900x2 PSTC BS31 5BL	RIDE-ON TROWEL HYDRAULIC STEERING 31,0HP BS-TORQUE CON.-5 BL.
10. PRO900x2 PSTC BS31 6BL	RIDE-ON TROWEL HYDRAULIC STEERING 31,0HP BS-TORQUE CON.-6 BL.

- * CON. : CONVERTER
* BL. : BLADE

Technical specifications are subject to change without notice.

Dimensions



QUM-96H/78H RIDE-ON TROWEL

Features:

- ◆ Ride-on operation reduces intensity of labor and increase efficiency of work
- ◆ With dual rotor, much heavier weight and much better compaction, the efficiency is higher than walk-behind power trowel
- ◆ A non-overlapping is designed for two pans working
- ◆ Hydraulic type steering system with rapid response and easy control
- ◆ Low barycenter design provides stable operation
- ◆ A strong power supplied by Honda or Kohler gasoline engine
- ◆ (QUM-96H) 5 blades design, much better compaction result

POWER TROWEL



QUM-96H/78H RIDE-ON TROWEL	9
QUM-96/80/78/65 RIDE-ON TROWEL	10
QJM-1200/1000 WALK BEHIND POWER TROWEL	11
QJM-800/600 EDGER TROWEL	12

Dynamic Ride-on Trowel series could greatly increase work efficiency for surface of concrete raised paste and trowel, smooth out. Widely used in building large area ground like factory, warehouse, square and so on.

QUM-78H



Specification:

Model		QUM-96H	QUM-78H
Weight	kg	598	425
Dimension	mm	L 2540 x W 1240 x H 1485	L 1980 x W 1020 x H 1500
Working diameter	mm	L 2430 x W 1150	L 1890 x W 916
Speed	rpm	120-140	150-155
Engine		Air-cooled, 4-cycle, Gasoline	
Type		Kohler CH940	Honda GX690
Max.output	kw(hp)	25.4(34)	17.9(24)
Max.speed	rpm	3600	
Fuel Tank	liter	40	12.0
Angle adjustment		Hydraulic	
Control mode		Hydraulic	



MADE IN U K



QUM-96/80/78/65 RIDE-ON TROWEL

Features:

- ◆ Fixed wheels for easy transportation
- ◆ With lighting equipment suitable for night work
- ◆ Sprinkler is available, slowing down the concrete drying
- ◆ Mechanism type steering system with rapid response and easy control
- ◆ Low barycenter design provides stable operation

QUM-80

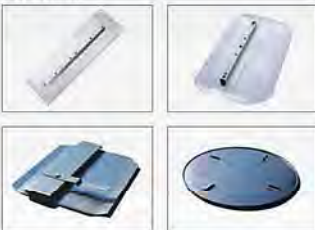


QJM-1200/1000 WALK-BEHIND POWER TROWEL

Features:

- ◆ Over-built gearbox with high performance and durability
- ◆ Safety switch can shut off engine at once to ensure the security of operator
- ◆ Adjustable handle for different height of operators
- ◆ Dynamically balanced of blades when running
- ◆ Bicycle-style handle is available

Accessories



Specification:

Model	QUM-96	QUM-80	QUM-78	QUM-65
Weight kg	450	310	338	300
Dimension mm	L 2540 x W 1240 x H 1510	L 1980 x W 996 x H 1320	L 1980 x W 1020 x H 1500	L 1710 x W 940 x H 1150
Working diameter mm	L 2475 x W 1175	L 1900 x W 915	L 1890 x W 915	L 1570 x W 750
Speed rpm	120-140			
Engine	Air-cooled,4-cycle,Gasoline			
Type	Kohler CH940	Honda GX690	Honda GX690	G380 Honda G390
Max.output kw(hp)	25.4(34)	17.9(24)	17.9(24)	9.6(13)
Max.speed rpm	3600			
Fuel Tank liter	15.5	12	15.5	6.5



Specification:

Model	QJM-1200	QJM-1000
Weight kg	116	88
Dimension mm	L 2080 x W 1250 x H 1020	L 1820 x W 945 x H 980
Working diameter mm	1170	915
Speed rpm	70-140	
Engine	Air-cooled,4-cycle,Gasoline	
Type	Honda GX270	Honda GX160
Max.output kw(hp)	7.0(9.0)	4.0(5.5)
Max.speed rpm	3600	
Fuel Tank liter	6.1	3.6



MADE IN U K



SCREEDS

BULLFLOAT SCREEDS



Type : EMT E - B Bullfloat Screeds (Floating)

Dimensions	1.0 m	1.5 m	2.0 m	2.5 m	3.0 m
Length	1000 mm	1500 mm	2000 mm	2500 mm	3000 mm
Width	230 mm	230 mm	230 mm	230 mm	230 mm
Height	42 mm	42 mm	42 mm	42 mm	42 mm
Weight	4.5 kg	6.5 kg	8.5 kg	10.5 kg	12.5 kg

L x W x H : 390 x 500 x 190 - 320 mm

Weight(Driving Unit) : 12,5 Kg

Engine : Honda GX25 (1,1 hp) 4 cycle
Honda GX35 (1,6 hp) 4 cycle

Vibration : 0 - 10000 rpm

Machine Codes

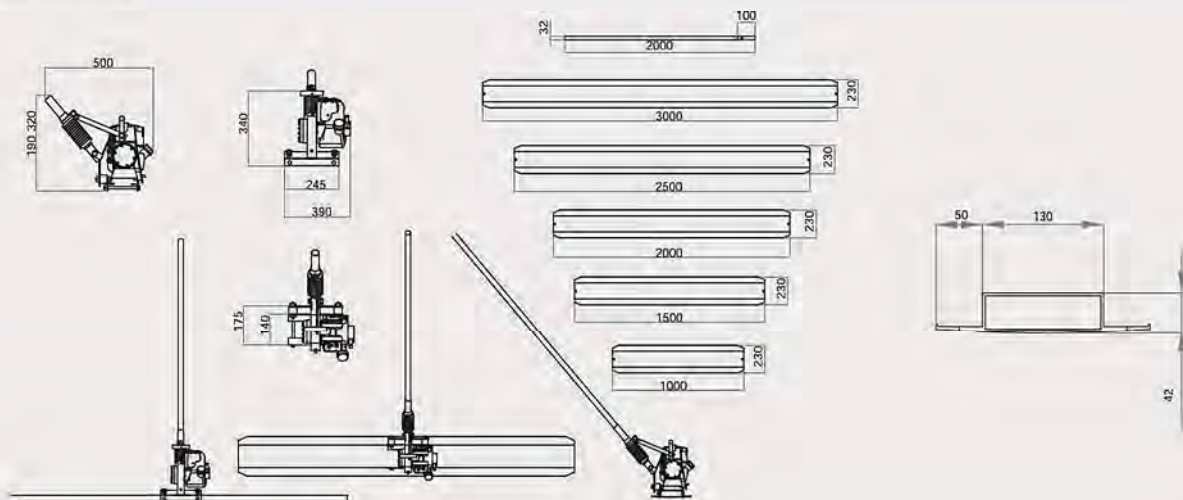
Stock Code	Description
10. EMT 1,0 M	1,0 M SCREED PROFILE
10. EMT 1,5 M	1,5 M SCREED PROFILE
10. EMT 2,0 M	2,0 M SCREED PROFILE
10. EMT 2,5 M	2,5 M SCREED PROFILE
10. EMT 3,0 M	3,0 M SCREED PROFILE
10. EMT 4,0 M	4,0 M SCREED PROFILE
10. EMTB EC04	BULLFLOAT SCR. GAS. DRV. UNIT. 2,0HP ROBIN
10. EMTB EH025	BULLFLOAT SCR. GAS. DRV. UNIT. 1,1HP ROBIN
10. EMTB GX25	BULLFLOAT SCR. GAS. DRV. UNIT. 1,1HP HONDA
10. EMTB GX35	BULLFLOAT SCR. GAS. DRV. UNIT. 1,6HP HONDA
10. EMTE	BULLFLOAT SCR. ELECTRIC DRV. UNIT



- * SCR. : SCREED
- * GAS. : GASOLINE
- * DRV. : DRIVING

Technical specifications are subject to change without notice.

Dimensions



SCREEDS

MECO SCREEDS



Type : Meco Screeds

Length	1.0 m	1.5 m	2.0 m	2.5 m	3.0 m	4.0 m	5.0 m
Width	175mm	175mm	175mm	175mm	175mm	175mm	175mm
Height	110 mm	110 mm	110 mm	110 mm	110 mm	110 mm	110 mm
Weight	4.5 kg	7.5 kg	10.5 kg	14.0 kg	17.5 kg	21.0 kg	24.0 kg

Weight (Driving Unit) : 19,5 Kg

Engine chassis (LxWxH) : 800 x 580 x 920 mm

Engine : Honda GX25 (1,1 hp) 4 cycle

Vibration : 0 - 9000 rpm



Machine Codes

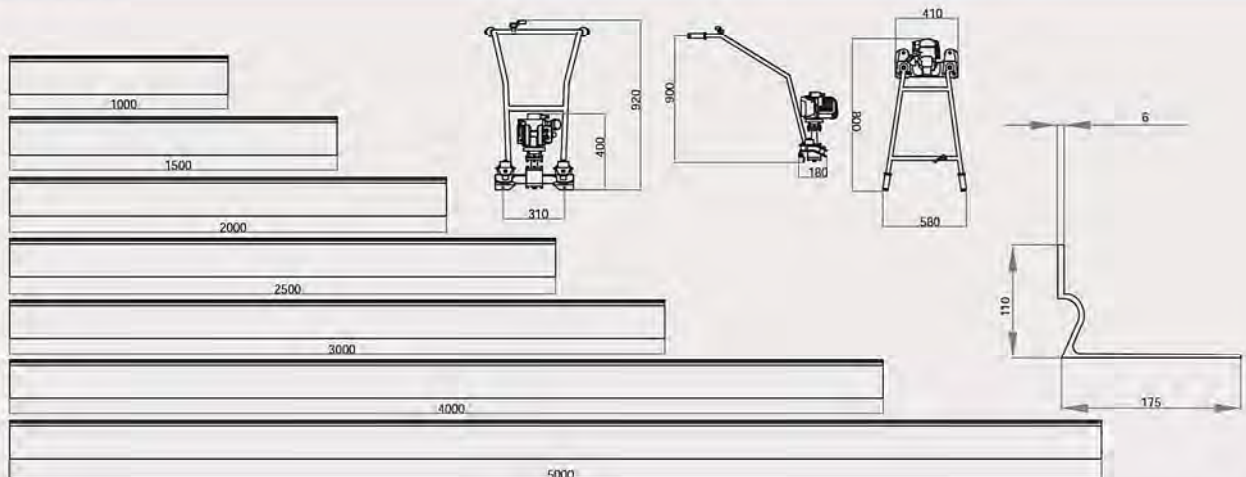
Stock Code	Description
10. MECO 1,0 M	1,0 M MECO SCREED PROFILE
10. MECO 1,5 M	1,5 M MECO SCREED PROFILE
10. MECO 2,0 M	2,0 M MECO SCREED PROFILE
10. MECO 2,5 M	2,5 M MECO SCREED PROFILE
10. MECO 3,0 M	3,0 M MECO SCREED PROFILE
10. MECO 4,0 M	4,0 M MECO SCREED PROFILE
10. MECO 5,0 M	5,0 M MECO SCREED PROFILE
10. MECO GX25	MECO SCR. GAS. DRV. UNIT.1,1HP HONDA

- * SCR. : SCREED
- * GAS. : GASOLINE
- * DRV. : DRIVING



Technical specifications are subject to change without notice.

Dimensions



VS-25B/EVS-25 VIBRATORY SCREED

Features:

- ◆ Replace the traditional construction technology of rolling and floating, reduce the cost and improve the efficiency
- ◆ Aluminum alloy blade is high durability and light weight.
- ◆ Easy and safe to operate, smooth finishing
- ◆ Adjustable handle height for different operator
- ◆ Easy to change the blades. Available length: 1-5meters

EVS-25



VTS-600 TRUSS SCREED

Features:

- ◆ High strength and light weight aluminum truss, reducing intensity of labor
- ◆ Fast connect system for assembly without special tools by one person. Available length: 4-18 meters
- ◆ One side winches for one person operation



Specification:

Model	VS-25B	EVS-25	
Weight	kg	28	20
Dimension	mm	L 2500 x W 1400 x H 960	L 2500 x W 950 x H 810
Drive system	mm	2500	2500
Engine		Flexible shaft	/
Type		Air-cooled, 4-cycle, Gasoline	280v~380v
Max.output	kw(hp)	1.2(1.6)	0.25(0.33)
Max Speed	rpm	8000	2800
Engine	n	/	800
Fuel Tank	liter	0.65	/



Specification:

Model	VTS-600	
Power Section	HP30	
Length	m	3.1
Beam width	mm	355
Height	mm	475
Weight	kg	92
Engine Type	Honda GX270	
Max.output	kw(hp)	7.0(9.0)
Max.speed	rpm	3600
Fuel Tank	liter	6.0

Center Section		HC15
Length	m	1.5
Beam width	mm	355
Height	mm	475
Weight	kg	26

End Section		HE15
Length	m	1.5
Beam width	mm	355
Height	mm	475
Weight	kg	30



MADE IN U K



SCREEDS

TRIANGULAR MODULAR SCREEDS



Type : Triangular Truss Type Screeds

Dimensions	610 mm	1500 mm	2300 mm
Length	610 mm	1522 mm	2286 mm
Width	450 mm	450 mm	450 mm
Height	430 mm	430 mm	430 mm
Weight	20 kg	44 kg	63 kg

Engine chassis (LxWxH) : 630 x 620 x 880 mm

Engine : Honda GX 200 - (6,5 HP)
Honda GX 270 - (9,0 HP)
Honda GX 390 - (13,0 HP)
PNEUMATIC

Electric Motor : 4 KW - 7,5 KW
From 6 to 22 meters

Standard;
*Hand winch and cable
*Head and end parts
*Engine chassis

Machine Codes

Stock Code	Description
12. UCM610	0,61 Mt TRIANGULAR MODULE
12. UCM1500	1,5 Mt TRIANGULAR MODULE
12. UCM2300	2,3 Mt TRIANGULAR MODULE

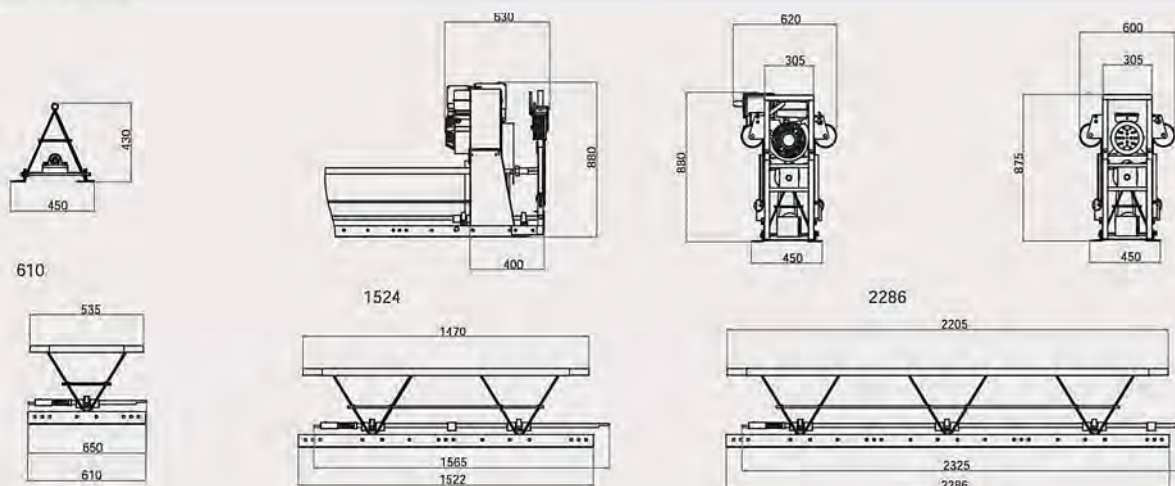
Consumables

Stock Code	Description
12. UCM-009	ENGINE CHASSIS
12. UCM-011	TRI. HEAD AND END PARTS
25. HDV.VINC 1,2	HAND WINCH
12. UCM-027	HAND WINCH TOWER

* TRI. : TRIANGULAR

Technical specifications are subject to change without notice.

Dimensions



JNP

JNP TRADING W.L.L

جي . ان . بي للتجارة ذ.م.م

BARANITE



Dynamic®

BATTIPAV™

MACCHINE PER EDILIZIA | MACHINES FOR BUILDING



HONDA

The Power of Dreams

OSCAR

